

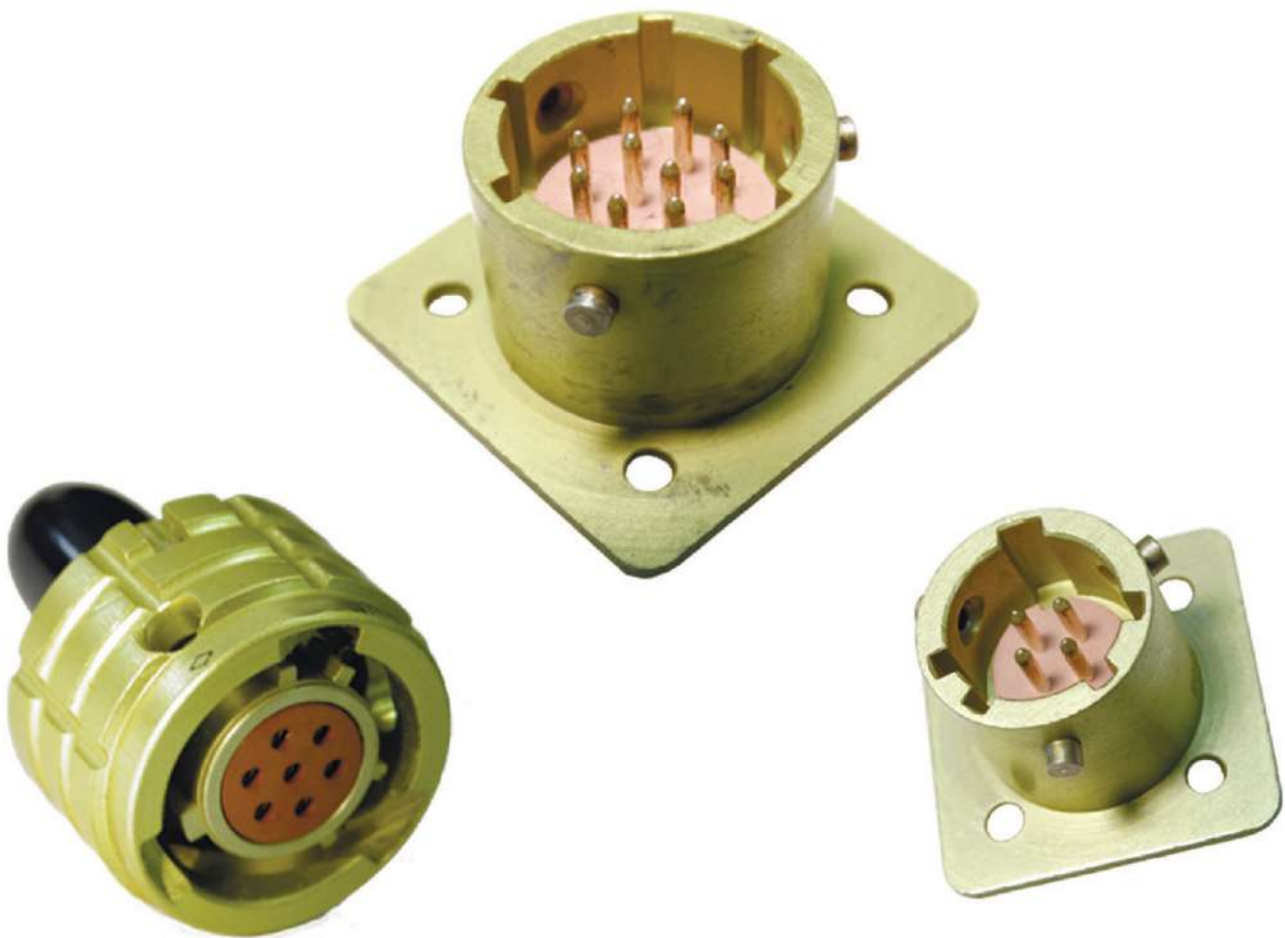


**RỒNG VÀNG
TECHNOLOGY**



Ultra-Small Electrical Connector
OHS-BC-1(2) series
substitutes of Russian ONTs-BS-1(2)

www.rong-vang-technology.vn



Description

Connectors of OHS-BC-1(2) type (plugs and receptacles) are designed for use in DC and AC circuits (up to 3 MHz) with voltage up to 250 V (amplitude value)

These connectors consist of two parts: Plug (female contacts only) and Hermetic Square flange Receptacle (male contacts only) and have multi key positioned (1, 2, 3) of shell polarization (protecting from misconnection of same contact layout connectors)

Bayonet coupling system

Square flange receptacle are manufactured without end accessories, Plugs are manufactured with straight plastic backshells

Contact: \varnothing 1 mm

Contact material:

- ONS-BC-2 – Gold over Copper alloy;
- ONS-BC-1 – Silver over Copper alloy;

These connectors are manufactured for inner mounting for all climates in accordance with the technical conditions bRO.364.030 TU



Technical features

Description	Values
Contact Resistance	≤ 5mΩ
Insulation resistance	≥ 1000 MΩ (Under normal conditions)
Operating temperature	up - 60°C to 85°C
1 bar differential pressure, leakage	≤ 0.3 l/h
Vibration	up to 5000 HZ at 20g
Impact	1000 g (once); 100 g (multiple times);
Contact diameter	∅ 1.0 mm
Durability	250 cycles
Operating hours	5000 hours
Guarantee period	15 years
Technical conditions	bR0.364.030 TU

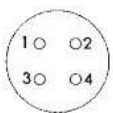
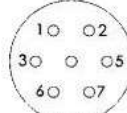
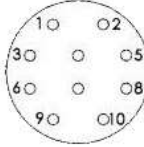
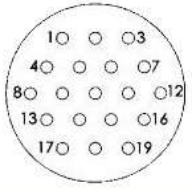
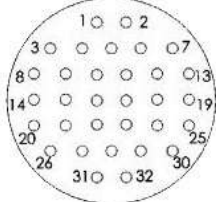
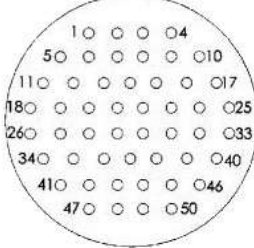
Electrical

Shell number	Number of contacts	Max current Rating per contact (A)	Total current (A)	Operating Voltage (V)
10	10	3.7	15	250
12	19	3.1	22	250
14	32	3.0	30	250
18	50	2.1	40	250
22	4	1.8	60	250
27	7	1.5	75	250

Ordering information

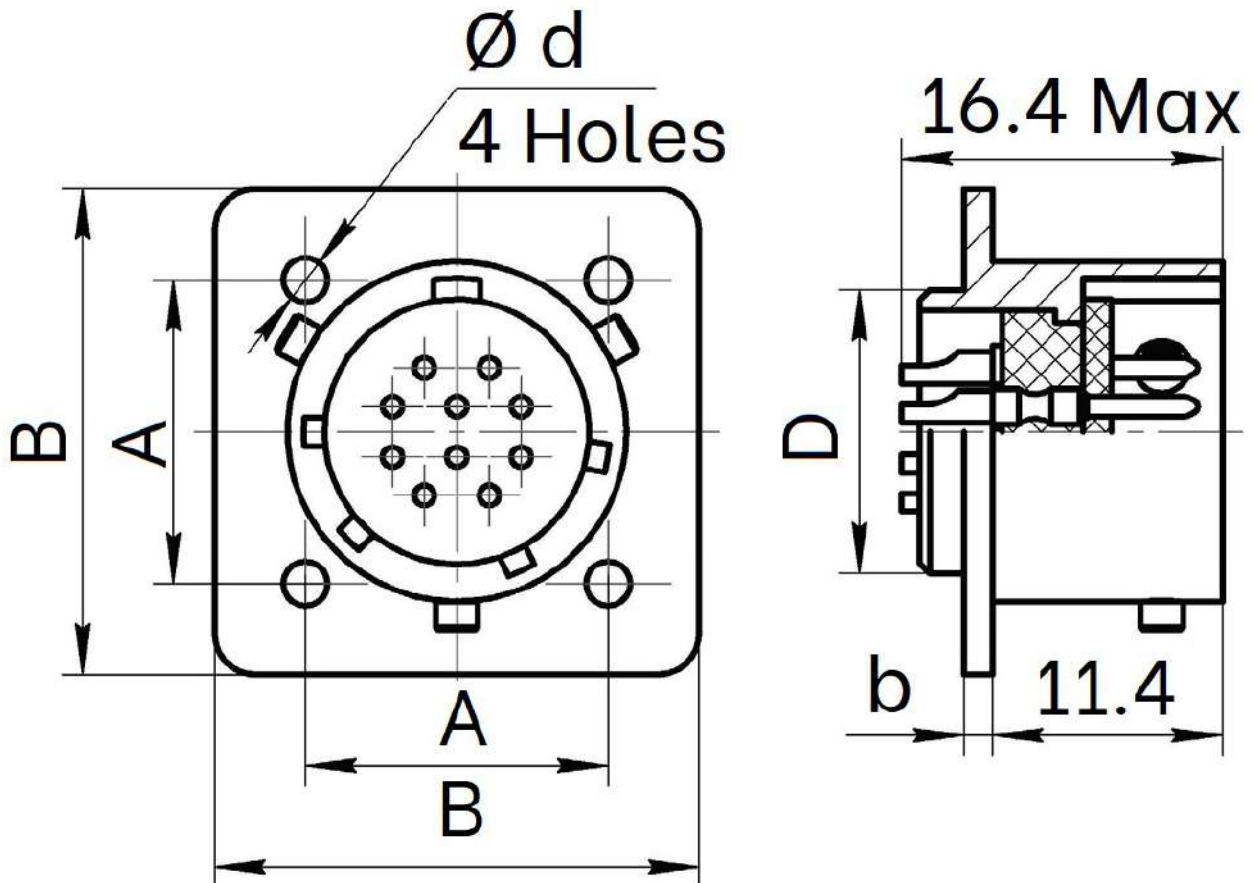
Basic series	OHS-BC	-1	-4	/10	B(P)	1	-1	-B
Contact plating:								
1: Silver								
2: Gold								
Number of contacts: 4, 7, 10, 19, 32, 50								
Shell size: 10, 12, 14, 18, 22, 27								
Contact Type:								
B: Pin for Square flange receptacle only								
P: Socket for Plugs only								
Connector Types & End Accessories:								
1: Square flange receptacle without backshell								
12: Plug with straight plastic backshell								
Orientation: 1, 2, 3								
All weather (Obligatory suffix)								

Contact layouts

Number of contacts	4	7	10	19
Shell size	10	12	14	18
				
Number of contacts	32		50	
Shell size	22		27	
				

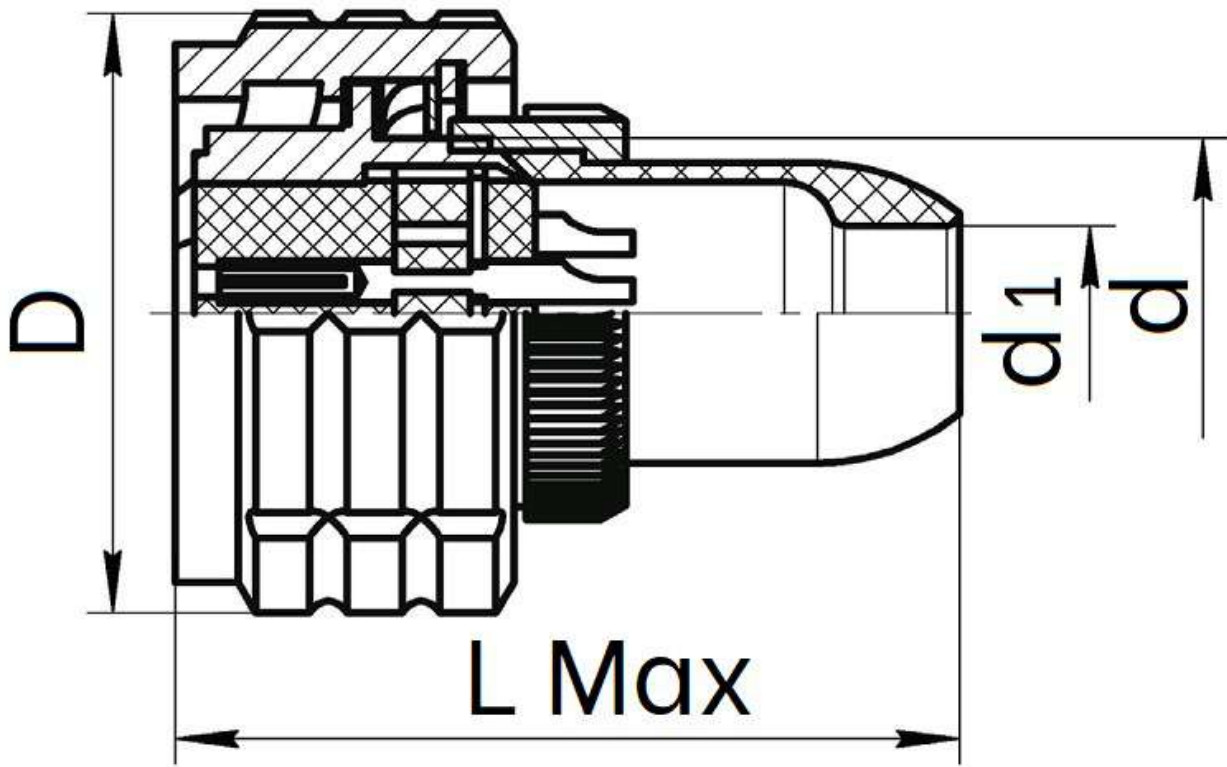
Dimensions

Square flange receptacles without backshell



Shell size	$\varnothing D$	A	B	$\varnothing d$	b
10	10	11,8	20	2,2	1,4
12	12	13,2	21	2,2	1,4
14	14	15	24	2,2	1,4
18	18	18	27	2,2	1,4
22	22	21,5	31	2,7	1,8
27	27	26	36	3,2	2

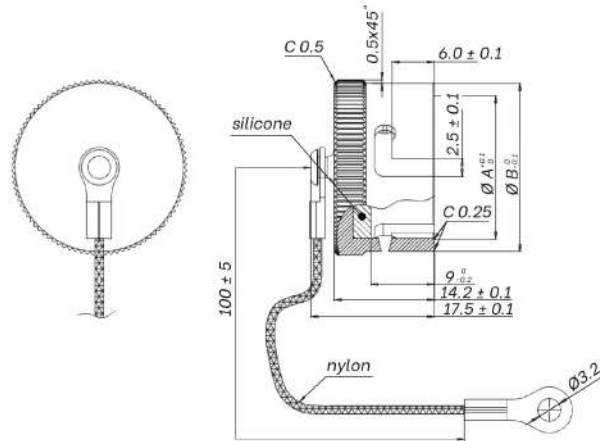
Plugs with straight plastic backshell



Shell size	$\varnothing D$	d	$\varnothing d_1$	L Max
10	20	M10x0,75	4,5	30
12	21	M12x0,75	6	31
14	24	M14x0,75	7	32
18	27	M18x0,75	9,2	33
22	31	M22x0,75	11	34
27	36	M27x0,75	13	36

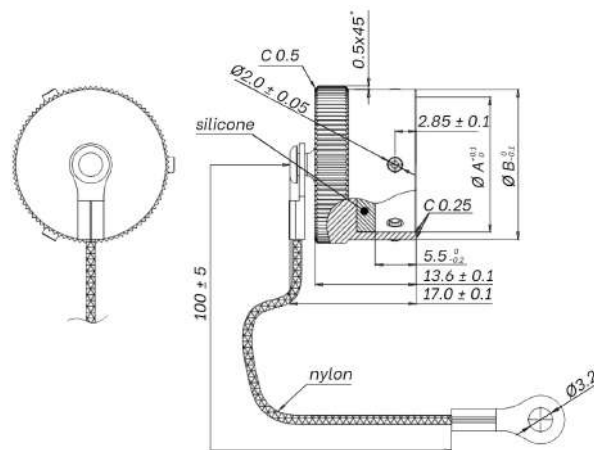
Dimensions

Caps for Receptacles



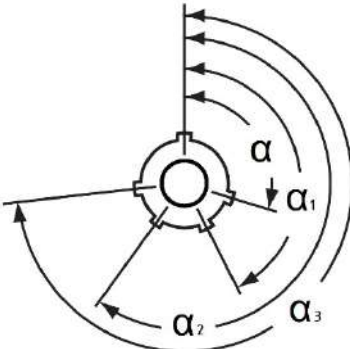
Shell size	Ø A	Ø B
EP-OHS-10	13.60	17.20
EP-OHS-12	15.00	19.00
EP-OHS-14	17.05	20.60
EP-OHS-18	20.30	23.80
EP-OHS-22	24.30	27.80
EP-OHS-27	29.30	33.80

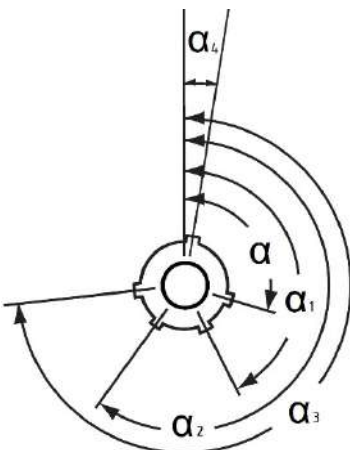
Caps for Plugs



Shell size	Ø A	Ø B
EK-OHS-10	11.50	13.30
EK-OHS-12	13.00	14.80
EK-OHS-14	14.90	16.80
EK-OHS-18	18.20	20.00
EK-OHS-22	22.20	24.00
EK-OHS-27	27.20	29.00

Orientations

Shell size	Viewed from front face of plug	orientation angle codes	Angle in degrees			
			α	α_1	α_2	α_3
10, 12		1	105°	140°	215°	260°
14, 18, 22, 27		1	90°	135°	205°	260°
		2	105°	140°	215°	260°
		3	115°	145°	210°	250°

Shell size	Viewed from front face of plug	orientation angle codes	Angle in degrees						
			α	α_1	α_2	α_3	α_4		
22, 27		4					11°		
		5	90°	135°	205°	260°	338°		
		6					349°		
		7					11°		
		8	105°	140°	215°	260°	22°		
		9					349°		
		10					11°		
		11					338°		
		12	115°	145°	210°	250°	349°		
		27		13				22°	
				14	105°	140°	215°	260°	329°
				15					11°
16							22°		
17							329°		
18	97°			140°	205°	255°	338°		
19							349°		
20							360°		



Cross reference list

Square flange receptacles without backshell

Russian Part No.	ALLCONN Part No.
ОНЦ-БС-1-4/10-В1-1-В	OHS-BC-1-4/10-B1-1-B
ОНЦ-БС-1-7/12-В1-1-В	OHS-BC-1-7/12-B1-1-B
ОНЦ-БС-1-10/14-В1-1-В	OHS-BC-1-10/14-B1-1-B
ОНЦ-БС-1-19/18-В1-1-В	OHS-BC-1-19/18-B1-1-B
ОНЦ-БС-1-32/22-В1-1-В	OHS-BC-1-32/22-B1-1-B
ОНЦ-БС-1-50/27-В1-1-В	OHS-BC-1-50/27-B1-1-B

Plugs with straight plastic backshells

Russian Part No.	ALLCONN Part No.
ОНЦ-БС-1-4/10-Р12-1-В	OHS-BC-1-4/10-P12-1-B
ОНЦ-БС-1-7/12-Р12-1-В	OHS-BC-1-7/12-P12-1-B
ОНЦ-БС-1-10/14-Р12-1-В	OHS-BC-1-10/14-P12-1-B
ОНЦ-БС-1-19/18-Р12-1-В	OHS-BC-1-19/18-P12-1-B
ОНЦ-БС-1-32/22-Р12-1-В	OHS-BC-1-32/22-P12-1-B
ОНЦ-БС-1-50/27-Р12-1-В	OHS-BC-1-50/27-P12-1-B

Caps for Receptacles

Russian Part No.	ALLCONN Part No.
ЭП-ОНЦ-10	EP-OHS-10
ЭП-ОНЦ-12	EP-OHS-12
ЭП-ОНЦ-14	EP-OHS-14
ЭП-ОНЦ-18	EP-OHS-18
ЭП-ОНЦ-22	EP-OHS-22
ЭП-ОНЦ-27	EP-OHS-27

Caps for Plugs

Russian Part No.	ALLCONN Part No.
ЭК-ОНЦ-10	EK-OHS-10
ЭК-ОНЦ-12	EK-OHS-12
ЭК-ОНЦ-14	EK-OHS-14
ЭК-ОНЦ-18	EK-OHS-18
ЭК-ОНЦ-22	EK-OHS-22
ЭК-ОНЦ-27	EK-OHS-27

CÔNG TY TNHH RỒNG VÀNG TECHNOLOGY

**Địa chỉ: 48/5 Vĩnh Xuân, Phường Vĩnh thái,
Thành Phố Nha Trang, Tỉnh Khánh Hòa**

SĐT: +84 79.219.2707

www.rong-vang-technology.vn

www.rong-vang-technology.vn