



RỒNG VÀNG  
TECHNOLOGY



# Micro-D Backshells

substitutes of Micro-D Backshells GLENAIR

[www.rong-vang-technology.vn](http://www.rong-vang-technology.vn)



## Contents

Features	3
EMI/RFI Round Cable Entry Backshells	5
Split EMI/RFI Micro-D Backshell with and Screwlocks	10
EMI/RFI Micro-D Backshells With Braid Attached	12
Elliptical Entry EMI/RFI Micro-D Backshells	15
Elliptical EMI/RFI Split Shell Micro-D Backshell	24
Strain Relief Backshells (not for EMI)	28
Potting Shell (not for EMI)	33



Micro-D EMI backshells connect cable shields to Micro-D connectors, providing strain relief and mechanical protection. These backshells are made out of aluminum alloy. Electroless nickel is the most widely used finish. These backshells are compatible with industry – standard metal shell M83513 type connectors. The following application notes explain how to select the right type of backshell



## Micro-D Backshell Wire Bundle Sizing Chart and Material and Finish Options

Maximum Discrete Wire Bundle Diameters					
No. Of Wires	Wire Gauge	M22759/11		M22759/33	
		Wire Bundle Diameter	Recommended Backshell Cable Entry Code	Wire Bundle Diameter	Recommended Backshell Cable Entry Code
9	#24	3.90	06	3.40	05
9	#26	3.50	05	2.90	05
9	#28	3.00	05	2.50	04
15	#24	5.00	08	4.30	06
15	#26	4.40	07	3.80	06
15	#28	3.90	06	3.20	05
21	#24	5.90	09	5.10	07
21	#26	5.30	08	4.50	07
21	#28	4.60	07	3.80	06
25	#24	6.50	*	5.60	08
25	#26	5.70	09	4.90	07
25	#28	5.00	08	4.20	06
31	#24	7.20	*	6.20	09
31	#26	6.40	09	5.40	08
31	#28	5.60	08	4.60	07
37	#24	7.90	*	6.80	*
37	#26	7.00	*	5.90	09
37	#28	6.10	09	5.10	08
51	#24	9.20	*	8.00	*
51	#26	8.20	*	7.0	10
51	#28	7.20	*	5.90	09
100	#24	12.90	*	11.20	*
100	#26	11.50	*	9.80	*
100	#28	10.10	*	8.30	*

\*AllConn recommends elliptical style backshell

Finish Code	Description
A	Aluminum/Cadmium Plate/Bright Dip
B	Aluminum/Cadmium Plate/Olive Drab
B1	Aluminum/Cad Plate/Olive Drab, Type II Class 1
C	Aluminum/Black Anodize
E	Aluminum/Chem Film (Alodyne)
J	Aluminum/Gold Iridite Over Cad; Plate Over Nickel
M	Aluminum/Electroless Nickel
N	Aluminum/Cadmium Plate/Olive Drab; Over Nickel
NF	Aluminum/Cad/O. D. Over Electroless; Nickel (1000 Hour Salt Spray)
T	Aluminum/Cadmium Plate/Bright Dip Over Nickel
Z1	Aluminum/Gold Plate
Z2	Stainless Steel/Passivated

### Materials

Shell, Saddle Clamps – Aluminum Alloy 6061 -T6 Per QQ-A-200, QQ-A-225 (Machined Components)/Aluminum Alloy 6061-T6 Per QQ-A-591 (A380) (Die-Cast Components)

Clips, E-Rings – 17-7PH Stainless Steel

Jackscrews, Washers, Jackposts – 300 Series Stainless Steel/Passivated



## 500T010, 500S010, 500E010, 500D010, Top, Side, 45°, and 90° Entry EMI/RFI Micro-D Banding Backshell, Round Cable Entry



### Ordering information

Basic series	500	T010	-Z2	25	B	08	K
Entry Option:							
T010 – Top Entry							
S010 – 90° Side Entry							
E010 – 45° Entry							
D010 – Dual 45° Entry							
Shell Finish:							
A – Cadmium Plate/Bright Dip							
B – Cadmium Plate/Olive Drab							
B1 – Cad Plate/Olive Drab, Type II Class 1							
J – Gold Iridite Over Cad; Plate Over Nickel							
M – Electroless Nickel							
N – Cadmium Plate/Olive Drab; Over Nickel							
NF – Cad/O. D. Over Electroless; Nickel (1000 Hour Salt Spray)							
T – Cadmium Plate/Bright Dip Over Nickel							
Z2 – Gold Plate							
Z1 – Stainless Steel/Passivated							
Shell Size – 9, 15, 21, 25, 31, 37, 51, 51-2, 67, 69, 100							
Hardware Option:							
B – (2) Fillister Head Jackscrew							
BJ – (2) Male Fillister Head							
H – (2) Hex Head Jackscrew							
HJ – (2) Male Hex							
E – (2) Extended Jackscrew							
EJ – (2) Male Extended (Style T and S Only)							
F – (2) Female Jackpost							
FB – (1) Female Jackpost, (1) Male Filister Head							
FH – (1) Female Jackpost, (1) Male Hex Socket							
N – No Hardware							
Cable Entry Code – 04, 05, 06, 07, 08, 09, 10, 11, 12 (See Table)							
Qwik-Ty Option:							
Omit – for none							
S – with Qwik-Ty strain relief							
EMI Band Strap Option:							
Omit – for none							
<b>Standard Band – 6.35 mm Wide</b>							
B – Uncoiled Band Included							
K – Coiled Band Included							
<b>Micro Band – 3.18 mm Wide</b>							
M – Uncoiled Band Included							
L – Coiled Band Included							



### Notes

1. Assembly identified with manufacturer's name and P/N
2. 51-2 shell size is for a special 51 position 2 row Micro D connector
3. Knurled or ribbed banding platform – manufacturer's option
4. EMI gasket mounts between mating connector and panel

### Materials/Finish

- Shell: Aluminum Alloy 6061-T6 Per QQ-A-200, QQ-A-225 (Machined Components) Aluminum Alloy 6061-T6 Per QQ-A-591 (A380) (Die-Cast Components)
- Clips, E-Rings: 17-7PH Stainless Steel
- Jackscrews, Washers, Jackposts: 300 Series Stainless Steel/Passivated

## Dimensions

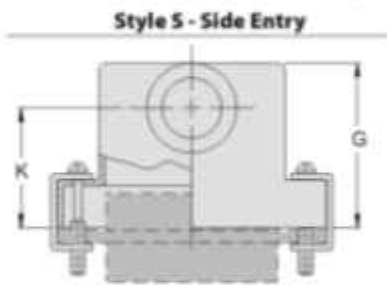
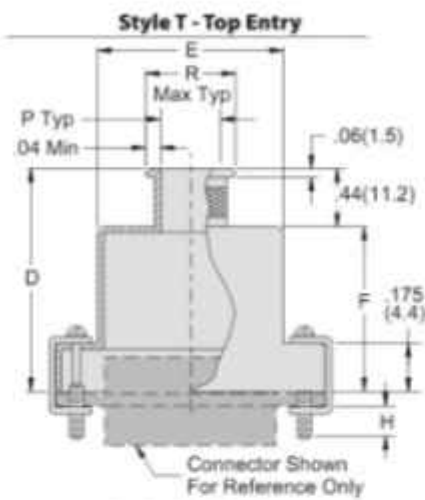
### Maximum Cable Entry Code

Shell size	Style T	Style E	Style S	Style D
09	04 – 08	04 – 08	04 – 09	04 – 06
15	04 – 08	04 – 08	04 – 10	04 – 08
21	04 – 08	04 – 08	04 – 10	04 – 08
25	04 – 08	04 – 08	04 – 11	04 – 08
31	04 – 09	04 – 09	04 – 12	04 – 09
37	04 – 09	04 – 09	04 – 12	04 – 09
51	04 – 10	04 – 10	04 – 12	04 – 10
51-2	04 – 09	04 – 09	04 – 12	04 – 09
67	04 – 09	04 – 09	04 – 12	04 – 09
69	04 – 10	04 – 10	04 – 12	04 – 10
100	04 – 12	04 – 12	04 – 12	04 – 12

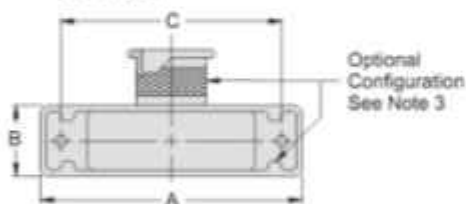
Cable Entry Code, Dimensions	P ± 0.38	R
04	3.18	7.5
05	3.96	8.3
06	4.78	9.1
07	5.56	9.9
08	6.35	10.7
09	7.14	11.5
10	7.92	12.3
11	8.74	13.1
12	9.53	13.7



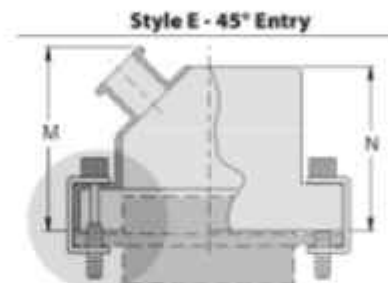
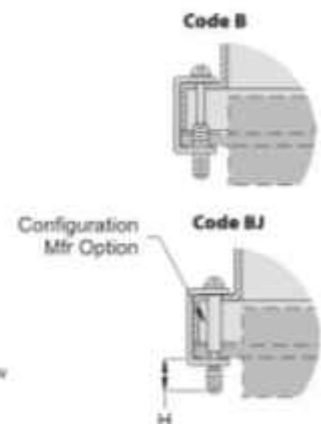
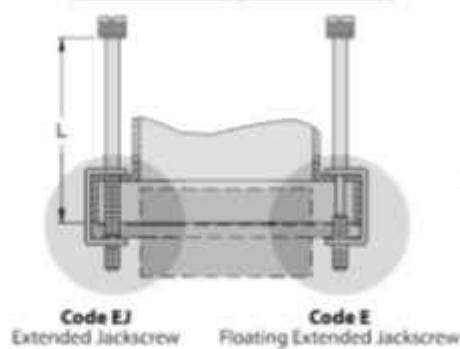
# Dimensions



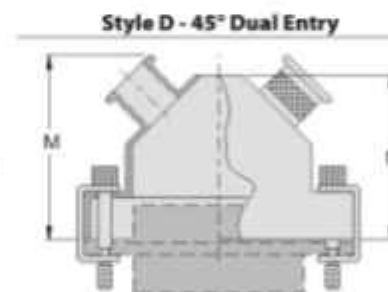
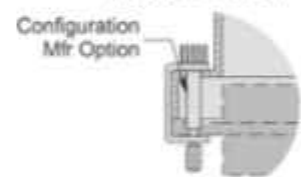
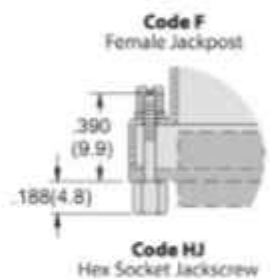
EMI Gasket Option (559-005)  
See Note 4



## Available for Style T and S Only



Code H  
Extended Jackscrew



Shell size	A Max.	B ± 0.08	C	D Max.	E Max.	F Max.	F Max.	H Max.	J Thread UNC-2	K	L Max.	M Max.	N Max.
9	21.59	9.40	14.35	19.81	10.41	8.89	16.18	8.89	2-56	11.05	26.42	25.40	17.27
15	25.40	9.40	18.16	23.11	14.73	11.94	17.09	11.94	2-56	11.20	29.72	26.16	18.54
21	29.21	9.40	21.97	26.16	18.80	14.99	17.95	14.99	2-56	11.63	32.77	26.67	19.43
25	31.75	9.40	24.51	27.69	21.59	16.51	19.00	16.51	2-56	12.27	34.29	27.69	21.08
31	35.56	9.40	28.32	29.21	24.89	18.03	19.20	18.03	2-56	12.09	36.07	28.70	22.61
37	39.37	9.40	32.13	30.23	28.70	19.05	19.66	19.05	2-56	12.14	36.83	31.24	24.26
51	38.10	10.41	30.86	30.99	27.43	19.81	21.82	19.81	2-56	13.91	37.59	31.75	25.53
51-2	48.51	9.40	41.02	30.99	38.35	19.81	21.82	19.81	2-56	13.91	37.59	31.75	25.53
67	58.67	9.40	51.18	30.99	47.75	19.81	21.82	19.81	2-56	13.91	37.59	31.75	25.53
69	45.97	10.41	38.48	30.99	35.05	19.81	21.82	19.81	2-56	13.91	37.59	31.75	25.53
100	56.77	11.68	45.72	32.51	37.34	21.34	25.76	21.34	4-40	17.45	40.13	33.53	27.43

## 507-142, EMI/RFI Dual Entry Banding Backshell, Round Cable Entry

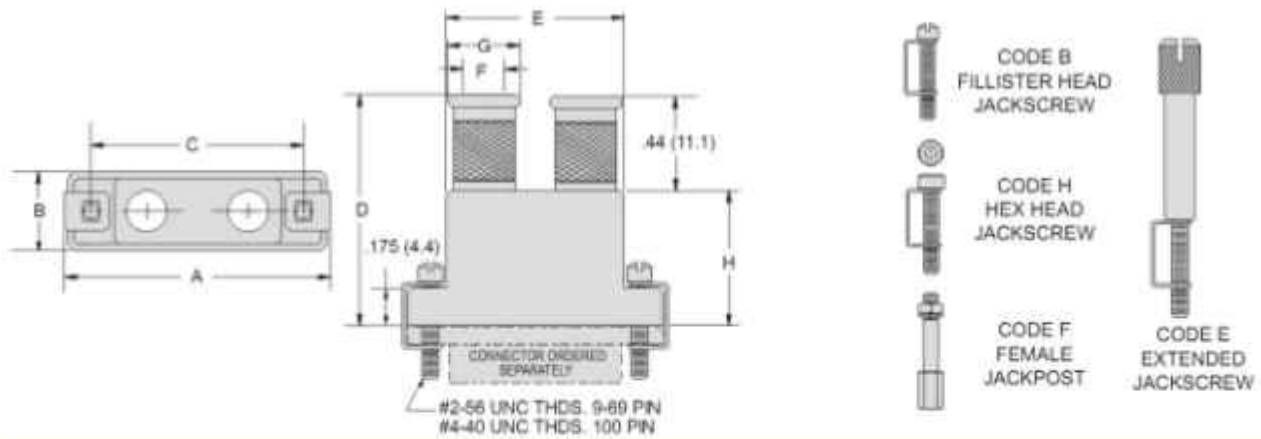


### Ordering information

Basic series	507-142	-Z2	25	B	M
Shell Finish:					
E – Chem Film (Alodyne)					
M – Electroless Nickel					
J – Cadmium, Yellow Chromate					
NF – Cadmium, Olive Drab					
Z2 – Gold					
Shell size – 21, 25, 31, 37, 51, 51-2, 67, 69, 100					
Hardware Option:					
B – Fillister Head Jackscrew					
E – Extended Jackscrew					
H – Hex Head Jackscrew					
F – Female Jackpost					
EMI Band Strap Option:					
Omit – for none					
<b>Standard Band – 6.35 mm Wide</b>					
B – Uncoiled Band Included (2 pcs)					
<b>Micro Band – 3.18 mm Wide</b>					
M – Uncoiled Band Included (2 pcs)					



## Dimensions



Shell size	A Max.	B Max.	C	D Max.	E Max.	F	G	H Max.
21	29.21	9.40	21.97	26.16	18.80	3.18	7.13	14.99
25	31.75	9.40	24.51	27.69	21.59	4.78	8.74	16.51
31	35.56	9.40	28.32	29.21	24.89	6.35	10.31	18.03
37	39.37	9.40	32.13	30.23	28.70	8.74	12.70	19.05
51	38.10	10.41	30.86	54.10	27.43	7.92	11.91	19.81
51-2	48.51	9.40	41.02	54.10	38.35	7.13	11.91	19.81
67	58.67	9.40	51.18	54.10	47.75	7.13	11.91	19.81
69	45.97	10.41	38.48	54.10	35.05	7.93	11.91	19.81
100	56.77	11.68	45.72	32.51	37.34	12.70	17.48	21.34



## 507-145, EMI/RFI Split Shell Banding Backshell with Screwlocks, Round Cable Entry

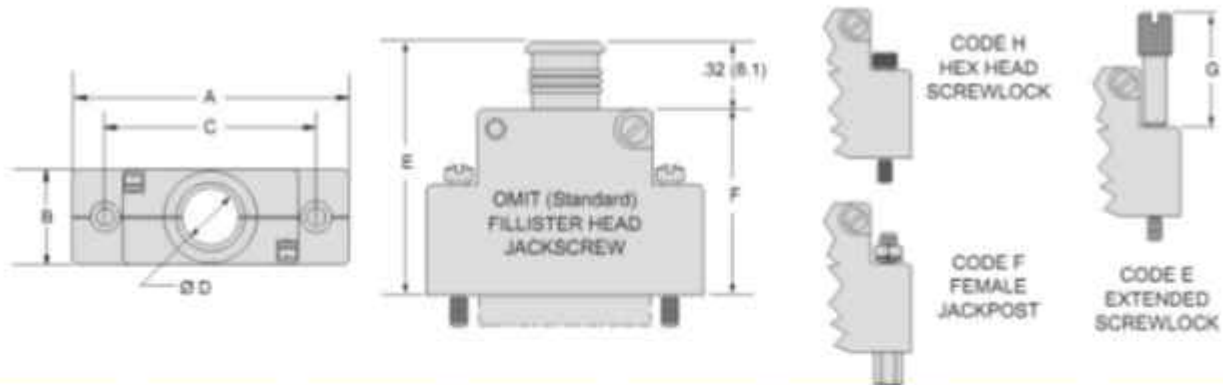


### Ordering information

Basic series	507-145	-Z2	25	H	K
Shell Finish:					
E – Chem Film (Alodyne)					
M – Electroless Nickel					
J – Cadmium, Yellow Chromate					
NF – Cadmium, Olive Drab					
Z2 – Gold					
Shell size – 9, 15, 21, 25, 31, 37, 51, 51-2, 67, 69, 100					
Hardware Option:					
Omit – Fillister Head Jackscrew					
E – Extended Jackscrew					
H – Hex Head Jackscrew					
F – Female Jackpost					
EMI Band Strap Option:					
Omit – for none					
<b>Standard Band – 6.35 mm Wide</b>					
B – Uncoiled Band Included					
K – Coiled Band Included					



## Dimensions



Shell size	A Max.	B Max.	C	D $\pm 0.25$	E Max.	F Max.	G Max.
9	23.24	11.43	14.35	4.06	26.24	18.31	14.07
15	27.05	11.43	18.16	4.83	27.84	19.89	15.67
21	30.86	11.43	21.97	5.59	28.63	20.70	16.48
25	33.40	11.43	24.51	6.60	30.23	22.28	18.06
31	37.21	11.43	28.32	6.99	31.01	23.06	18.34
37	41.02	11.43	32.13	7.24	32.59	24.66	19.94
51	39.75	12.57	30.86	8.89	34.19	26.24	22.02
51-2	48.91	11.43	41.02	7.24	34.19	26.24	22.02
67	60.07	11.43	51.18	8.89	34.19	26.24	22.02
69	47.37	12.57	38.48	8.89	34.19	26.24	22.02
100	58.55	13.72	45.72	12.45	35.76	27.83	23.62



## 500T011, 500S011, 500E011 Top, Side, and 45° Entry EMI/RFI Shield Sock Backshell, Round Cable Entry



### Ordering information

Basic series	500	T011	-Z2	25	B	08	-12
Entry Option:							
T011 – Top Entry							
S011 – 90° Side Entry							
E011 – 45° Entry							
Shell Finish:							
E – Chem Film (Alodyne)							
M – Electroless Nickel							
J – Cadmium, Yellow Chromate							
NF – Cadmium, Olive Drab							
Z2 – Gold							
Shell Size – 9, 15, 21, 25, 31, 37, 51, 51-2, 67, 69, 100							
Hardware Option:							
B – Fillister Head Jackscrew							
E – Extended Jackscrew							
H – Hex Head Jackscrew							
F – Female Jackpost							
Cable Entry Code – 04, 05, 06, 07, 08, 09, 10, 11, 12 (See Table)							
Length of Braid:							
Length in One Inch Increments (6 Inch min) – Example: “12” equals twelve inches							
Omit – for none							

### Material and Finish

- Shell: Aluminum Alloy 6061-T6 Per QQ-A-200, QQ-A-225 (Machined Components) Aluminum Alloy 6061-T6 Per QQ-A-591 (A380) (Die-Cast Components)
- Braid: Tinned Copper Braid Per QQ-B-575 ASTM B33, #36 AWG Strands, 90% Coverage
- Crimp Ring: Copper, Tin Plated
- Clips, E-Rings: 17-7PH Stainless Steel
- Jackscrews, Washers, Jackposts: 300 Series Stainless Steel/Passivated



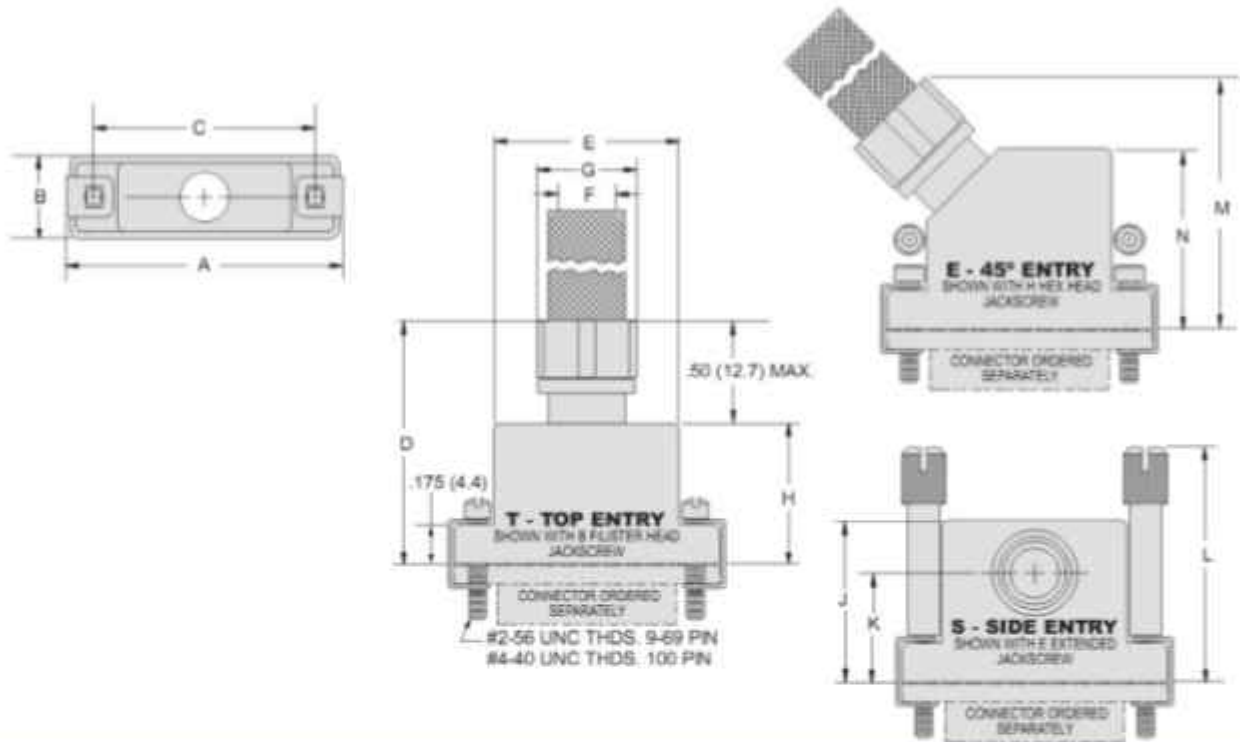
## Dimensions

### Maximum Cable Entry Code

Shell size	Style T	Style E	Style S
09	04 - 08	04 - 08	04 - 09
15	04 - 08	04 - 08	04 - 10
21	04 - 08	04 - 08	04 - 10
25	04 - 08	04 - 08	04 - 11
31	04 - 09	04 - 09	04 - 12
37	04 - 09	04 - 09	04 - 12
51	04 - 10	04 - 10	04 - 12
51-2	04 - 09	04 - 09	04 - 12
67	04 - 09	04 - 09	04 - 12
69	04 - 10	04 - 10	04 - 12
100	04 - 12	04 - 12	04 - 12

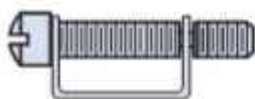
Cable Entry Code, Dimensions	F ± 0.38	G
04	3.18	7.87
05	3.96	8.89
06	4.78	9.65
07	5.56	10.16
08	6.35	13.31
09	7.14	11.43
10	7.92	12.7
11	8.74	13.34
12	9.53	13.97

## Dimensions



Shell size	A Max.	B ± 0.08	C	D Max.	E Max.	H Max.	J Max.	K	L Max.	M Max.	N Max.
9	21.59	9.40	14.35	19.81	10.41	8.89	16.18	11.05	26.42	25.40	17.27
15	25.40	9.40	18.16	23.11	14.73	11.94	17.09	11.2	29.72	26.16	18.54
21	29.21	9.40	21.97	26.16	18.80	14.99	17.95	11.63	32.77	26.67	19.43
25	31.75	9.40	24.51	27.69	21.59	16.51	19.00	12.27	34.29	27.69	21.08
31	35.56	9.40	28.32	29.21	24.89	18.03	19.20	12.09	36.07	28.70	22.61
37	39.37	9.40	32.13	30.23	28.70	19.05	19.66	12.14	36.83	31.24	24.26
51	38.10	10.41	30.86	30.99	27.43	19.81	21.82	13.91	37.59	31.75	25.53
51-2	48.51	9.40	41.02	30.99	38.35	19.81	21.82	13.91	37.59	31.75	25.53
67	58.67	9.40	51.18	30.99	47.75	19.81	21.82	13.91	37.59	31.75	25.53
69	45.97	10.41	38.48	30.99	35.05	19.81	21.82	13.91	37.59	31.75	25.53
100	56.77	11.68	45.72	32.51	37.34	21.34	25.76	17.45	40.13	33.53	27.43

### Hardware Options



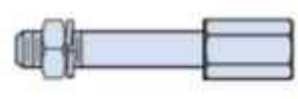
B – Fillister Head Jackscrew



H – Hex Head Jackscrew



E – Extended Jackscrew (Not for 45° Entry)



F – Female Jackpost



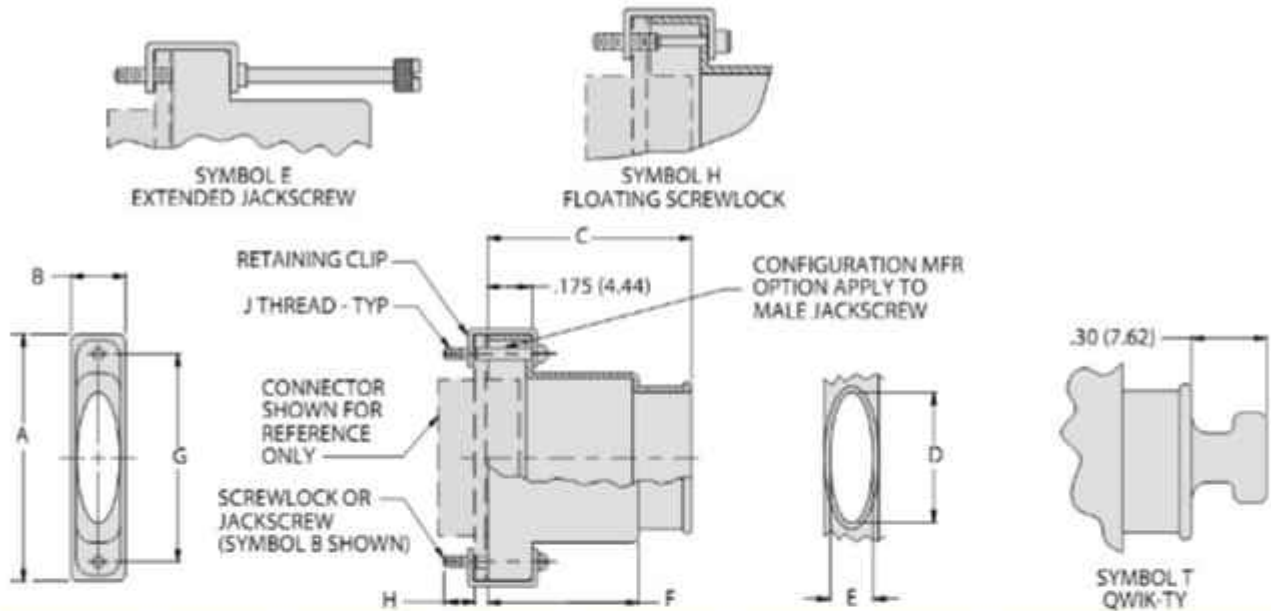
## 500-047, EMI/RFI Elliptical Banding Backshell



### Ordering information

Basic series	500-047	-Z2	25	B	M	T
Shell Finish:						
E – Chem Film (Alodyne)						
M – Electroless Nickel						
J – Cadmium, Yellow Chromate						
NF – Cadmium, Olive Drab						
Z2 – Gold						
Shell Size – 9, 15, 21, 25, 31, 37, 51, 51-2, 67, 69, 100						
Hardware Option:						
HJ – Hex Head Jackscrew						
E – Extended Jackscrew						
B – Fillister Head Jackscrew						
F – Female Jackpost						
H – Floating Screwlock						
EMI Band Strap Option:						
Omit – for none						
<b>Standard Band – 6.35 mm Wide</b>						
B – Uncoiled Band Included						
<b>Micro Band – 3.18 mm Wide</b>						
M – Uncoiled Band Included						
Qwik-Ty Option:						
Omit – for none						
T – with Qwik-Ty strain relief						

## Dimensions



Shell size	A Max.	B Max.	C	D Max.	E Max.	F	G	H Max.
9	21.59	9.40	14.35	7.92	7.14	11.43	12.22	19.81
15	25.40	9.40	18.16	10.67	7.14	11.43	14.96	23.11
21	29.21	9.40	21.97	15.01	7.14	11.43	19.28	26.16
25	31.75	9.40	24.51	17.53	7.14	11.43	21.82	27.68
31	35.56	9.40	28.32	20.83	7.14	11.43	25.12	29.21
37	39.37	9.40	32.13	24.64	7.14	11.43	28.93	29.97
51	38.10	10.41	30.86	23.37	7.92	12.22	27.66	30.99
51-2	48.51	9.40	41.02	26.16	7.14	11.43	37.82	30.99
67	58.67	9.40	51.18	43.69	7.14	11.43	47.98	30.99
69	45.97	10.41	38.48	30.99	7.92	12.22	35.28	30.99
100	56.77	11.68	45.72	32.77	9.14	13.44	37.06	32.51

Hardware Options				
B – Fillister Head Jackscrew	H – Floating Screwlock	E – Extended Jackscrew	F – Female Jackpost	HJ – Hex Head Jackscrew



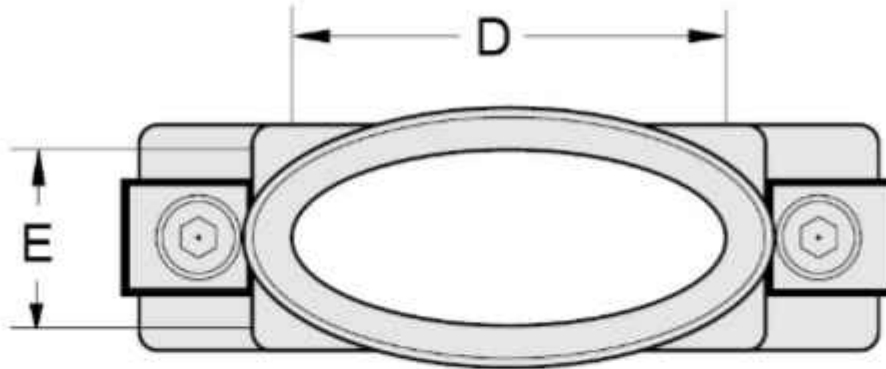
## 507-175, Straight, Top, and 45° Entry EMI/RFI, Elliptical Banding Backshell



### Ordering information

Basic series	507	T175	-M	25	08	E
Entry Option:						
T175 – Top Entry						
S175 – 90° Side Entry						
E175 – 45° Entry						
Shell Finish:						
E – Chem Film (Alodyne)						
M – Electroless Nickel						
J – Cadmium, Yellow Chromate						
NF – Cadmium, Olive Drab						
Z2 – Gold						
Shell Size – 9, 15, 21, 25, 31, 37, 51, 51-2, 67, 69, 100						
Cable Entry Code – 01, 02, 03, 04, 05, 06, 07, 08 (See Table)						
Hardware Option:						
Omit – Fillister Head Jackscrew						
E – Extended Jackscrew						
H – Hex Head Jackscrew						
F – Female Jackpost						

## Dimensions

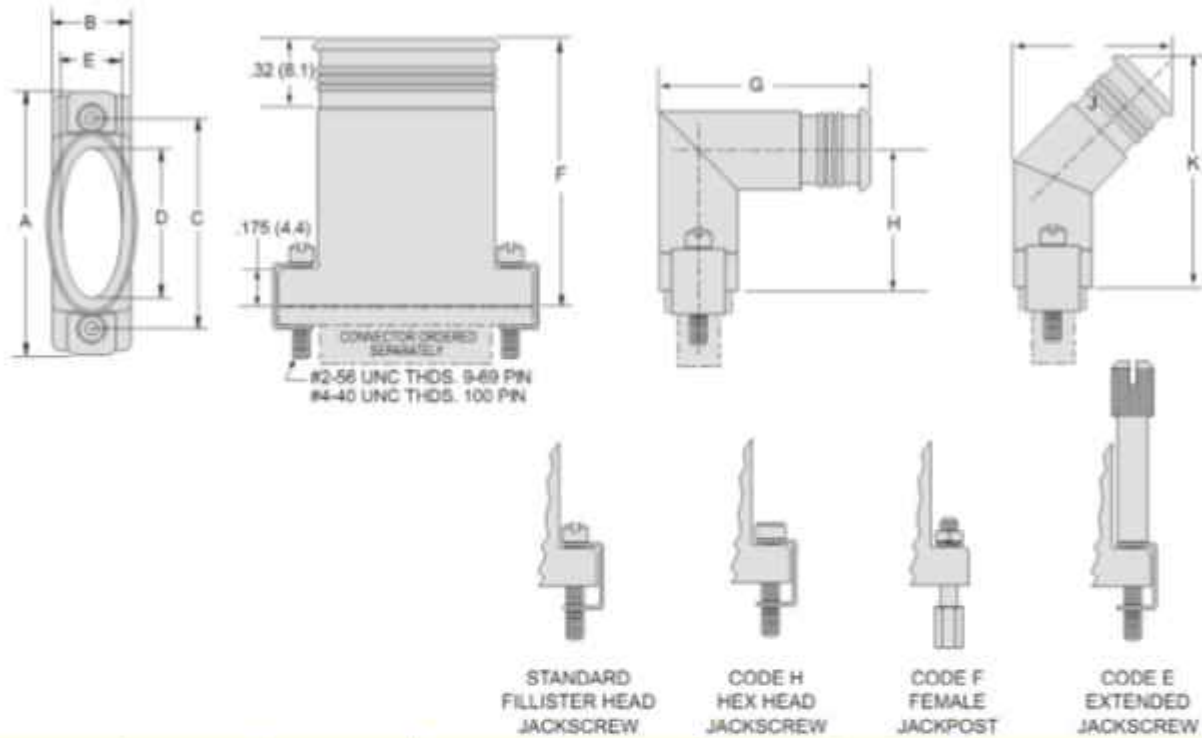


Cable Entry Code	D ± 0.25	E ± 0.25	Available on Shell Size
01	8.74	7.37	09 – 100
02	12.55	7.37	15 – 100
03	16.36	7.37	21 – 100
04	18.90	7.72	25 – 100
05	21.34	7.72	31 – 100
06	25.25	7.72	37 – 100
07	26.52	7.72	37 – 100
08	26.01	9.75	100

Cable Entry Code, Dimensions	D ± 0.25	E ± 0.25
01	8.74	7.37
02	12.55	7.37
03	16.36	7.37
04	18.9	7.72
05	21.34	7.72
06	25.25	7.72
07	26.52	7.72
08	26.01	9.75



## Dimensions



Shell Size	A Max.	B $\pm 0.08$	C	F Max.	G Max.	H Max.	J Max.	K Max.
9	21.59	9.40	14.35	19.86	24.64	16.97	17.09	21.62
15	25.40	9.40	18.16	21.13	24.64	16.97	17.09	22.25
21	29.21	9.40	21.97	22.40	24.64	16.97	17.09	22.89
25	31.75	9.40	24.51	23.67	25.15	17.22	17.78	23.95
31	35.56	9.40	28.32	24.69	25.15	17.22	17.78	24.46
37	39.37	9.40	32.13	24.69	25.15	17.22	17.78	24.97
51	38.10	10.41	30.86	27.74	26.16	17.73	19.25	26.67
51-2	48.51	9.40	41.02	27.74	26.16	17.73	19.25	26.67
67	58.67	9.40	51.18	27.74	26.16	17.73	19.25	26.67
69	45.97	10.41	38.48	27.74	26.16	17.73	19.25	26.67
100	56.77	11.68	45.72	29.39	27.69	18.36	20.93	28.70

## 507-297, Side Entry EMI/RFI Lightweight Metal Backshell



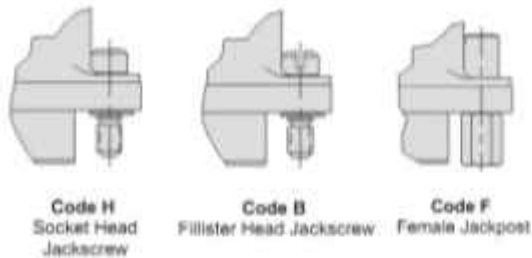
### Ordering information

Basic series	507E297	-M	25	D	H	L
Shell Finish:						
A – Cadmium Plate/Bright Dip						
B – Cadmium Plate/Olive Drab						
B1 – Cadmium Plate/Olive Drab Type II Class 1						
J – Gold Iridite Over Cadmium Plate Over Nickel						
M – Electroless Nickel						
N – Cadmium Plate/Olive Drab Over Nickel						
NF – Cad/O.D. Over Electroless Nickel (1000 Hour Salt Spray)						
T – Cadmium Plate/Bright Dip Over Nickel						
Z2 – Gold Plate						
Shell Size – 9, 15, 21, 25, 31, 37, 51, 51-2, 67, 69, 100						
Cable Entry Code – See Table						
Hardware Option:						
B – Fillister Head Jackscrew						
H – Socket Head Jackscrew						
F – Female Jackpost						
EMI Band Strap Option:						
Omit – for none						
<b>Micro Band – 3.18 mm Wide</b>						
M – Uncoiled Band Included						
L – Coiled Band Included						

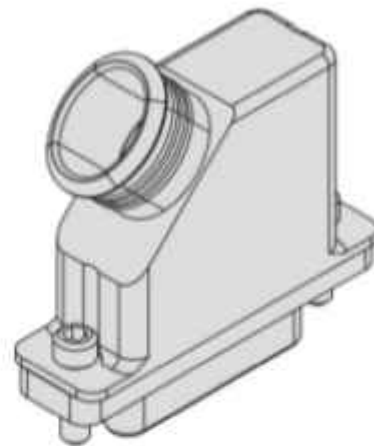
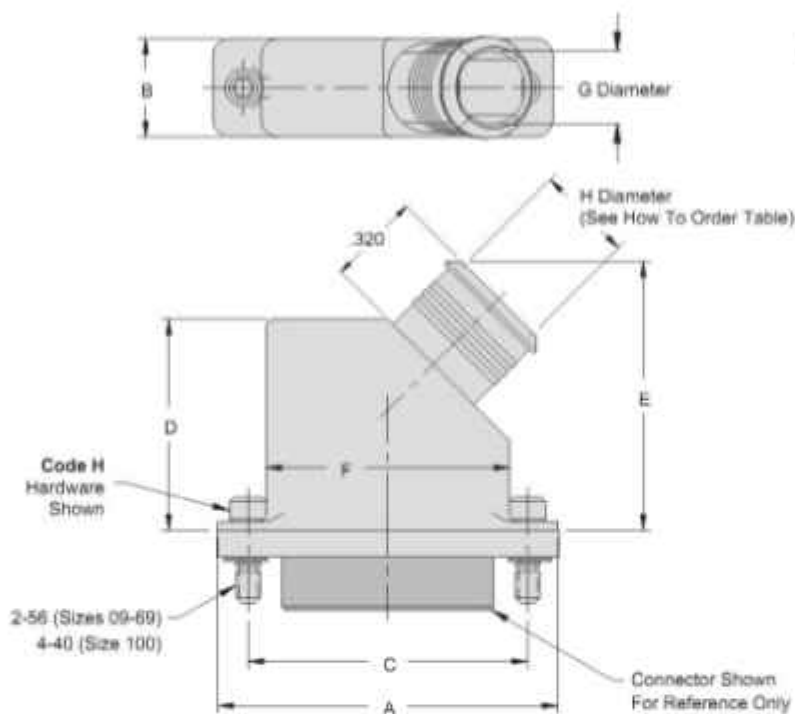
Cable Entry Code	Cable Entry, Max	Available on Shell Size
A	4.78	9 – 100
B	5.84	15 – 100
C	6.73	21 – 100
D	8.51	25 – 100
E	9.14	31 – 100
F	10.41	37 – 100
G	13.21	51 – 100
H	14.86	51-2 – 100
J	16.89	67 – 100
K	18.29	67 & 100
L	19.30	67



## Dimensions



Hardware Mounting Options



Shell Size	A	B	C	D	E	F	G	H Max	Cable Entry Code Max
09	19.69	8.64	14.35	12.70	17.78	11.18	–	4.78	A
15	23.50	9.40	18.16	14.22	19.30	14.99	–	5.84	B
21	27.31	8.64	21.97	16.76	21.84	18.80	6.35	6.73	C
25	29.85	8.64	24.51	18.54	23.62	21.34	6.35	8.51	D
31	33.66	8.64	28.32	20.57	25.65	25.15	6.35	9.14	E
37	37.47	8.64	32.13	22.61	27.69	28.96	6.35	10.41	F
51	36.20	9.65	30.86	22.86	27.94	27.69	7.37	13.21	G
51-2	46.36	8.64	41.02	26.16	31.24	37.85	6.35	14.86	H
67	56.52	8.64	51.18	26.16	31.24	48.01	6.35	16.89	J
69	43.82	9.65	38.48	26.67	31.75	35.31	7.37	18.29	K
100	54.86	10.92	45.72	27.94	33.02	38.66	8.64	19.30	L

## 507T296 and 507S296

### Top and Side Entry, EMI/RFI Elliptical Lightweight Metal Backshell



### Ordering information

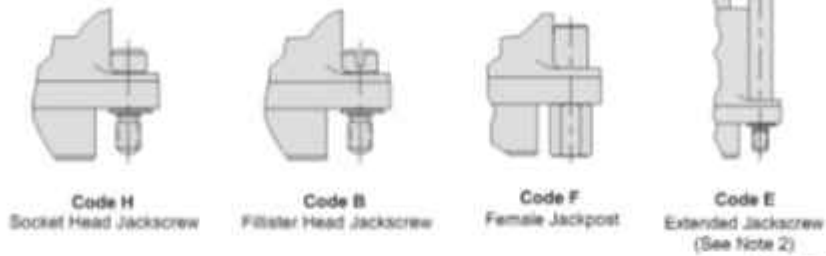
Basic series	507	T296	-Z2	25	B	B	-M
Entry Option:							
T296 – Top Entry							
S296 – 90° Side Entry							
Shell Finish:							
A – Cadmium Plate/Bright Dip							
B – Cadmium Plate/Olive Drab							
B1 – Cadmium Plate/Olive Drab Type II Class 1							
J – Gold Iridite Over Cadmium Plate Over Nickel							
M – Electroless Nickel							
MT – Nickel-PTFE							
N – Cadmium Plate/Olive Drab Over Nickel							
NF – Cad/O.D. Over Electroless Nickel (1000 Hour Salt Spray)							
T – Cadmium Plate/Bright Dip Over Nickel							
Z2 – Gold Plate							
Shell Size – 9, 15, 21, 25, 31, 37, 51, 51-2, 67, 69, 100							
Cable Entry Code – See Table							
Hardware Option:							
B – Fillister Head Jackscrew							
E – Extended Jackscrew							
H – Socket Head Jackscrew							
F – Female Jackpost							
EMI Band Strap Option:							
Omit – for none							
<b>Micro Band – 3.18 mm Wide</b>							
M – Uncoiled Band Included							
L – Coiled Band Included							

Cable Entry Code	Cable Entry, Max	Available on Shell Size
A	8.13	9 – 100
B	11.94	15 – 100
C	15.75	21 – 100
D	18.29	25 – 100
E	22.10	31 – 100
F	24.64	37 – 100
G	25.91	37, 51-2 – 100
H	32.26	51-2 – 100
J	34.54	51-2, 67 & 100
K	44.96	67

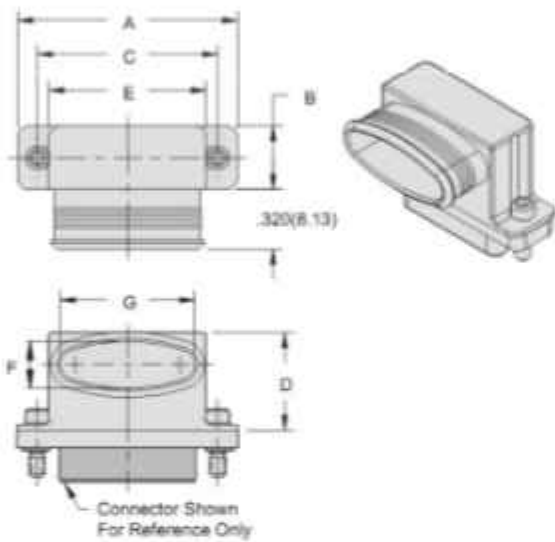


## Dimensions

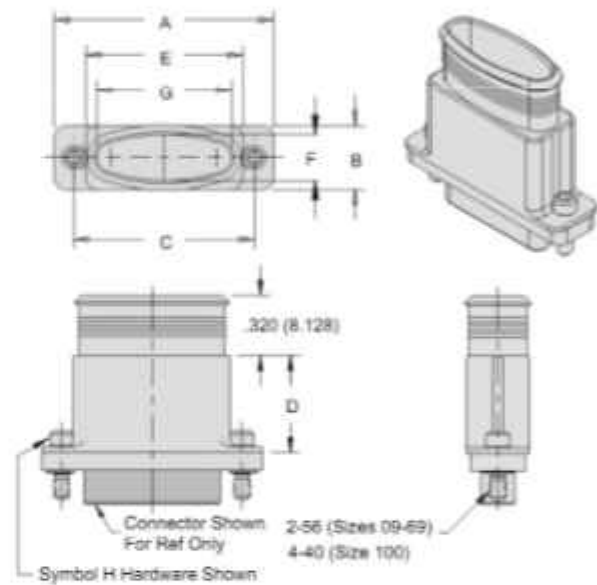
### Hardware Mounting Options



### Style S Side Entry (90°)



### Style T Top Entry (Straight)



Shell Size	A	B	C	D	E	F	Cable Entry Code Max
09	19.69	8.64	14.35	13.21	11.18	6.35	A
15	23.50	8.64	18.16	13.21	14.99	6.35	B
21	27.31	8.64	21.97	13.21	18.80	6.35	C
25	29.85	8.64	24.51	13.21	21.34	6.35	D
31	33.66	8.64	28.32	13.21	25.15	6.35	E
37	37.47	8.64	32.13	13.21	28.96	6.35	G
51	36.20	9.65	30.86	15.49	27.69	7.37	F
51-2	46.36	8.64	41.02	13.21	37.85	6.35	J
67	56.52	8.64	51.18	13.21	48.01	6.35	K
69	43.82	9.65	38.48	15.49	35.31	7.37	H
100	54.86	10.92	45.72	16.00	38.66	8.64	J

507-178

EMI/RFI Micro-D Split Banding Backshell with Elliptical Banding Porch



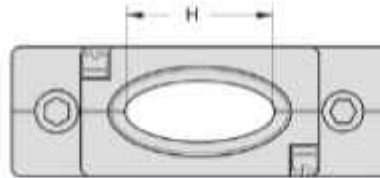
Ordering information

Basic series	507-178	-M	25	04	K	B
Shell Finish:						
E – Chem Film (Alodyne)						
M – Electroless Nickel						
J – Cadmium, Yellow Chromate						
NF – Cadmium, Olive Drab						
Z2 – Gold						
Shell Size – 9, 15, 21, 25, 31, 37, 51, 51-2, 67, 69, 100						
Cable Entry Code – 04, 05, 06, 07, 08, 09, 10, 11, 12, 13, 14, 15, 16 (See Table)						
EMI Band Strap Option:						
Omit – for none						
<b>Standard Band – 6.35 mm Wide</b>						
B – Uncoiled Band Included						
K – Coiled Band Included						
Hardware Option:						
E – Extended Screwlock						
FE - Extended Female Jackpost						
HJ – Hex Head Jackscrew						
F – Female Jackpost						
FF – Fixed Female Jackpost						
EJ – Extended Jackscrew						
H – Hex Head Screwlock						
J – Fillister Head Jackscrew						
Omit – for standard knurl head screwlock						



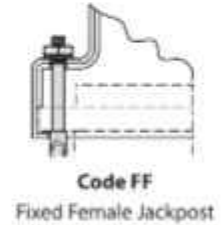
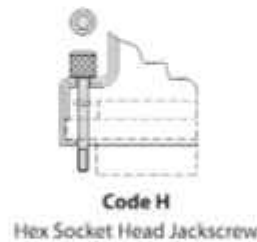
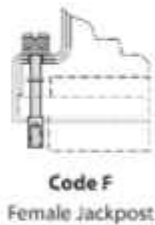
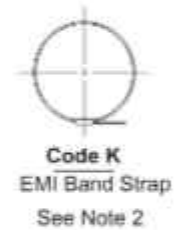
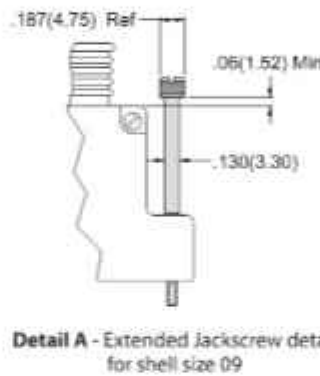
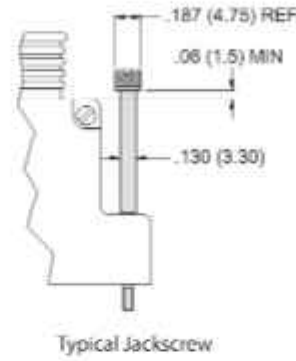
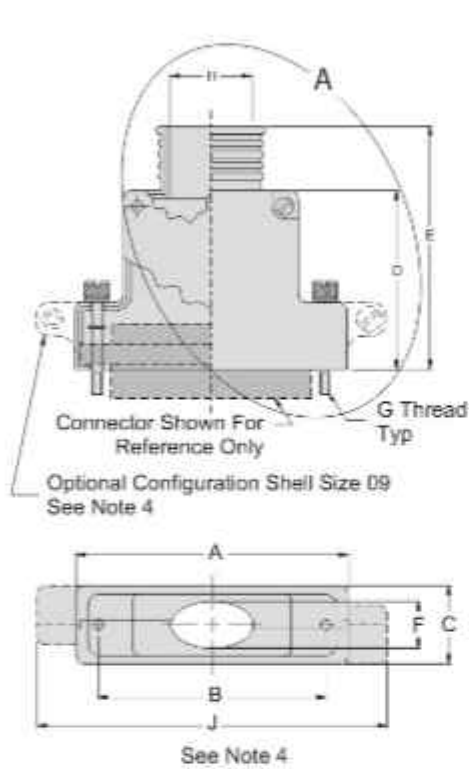
## Dimensions

### Maximum Cable Entry Code



Cable Entry Code	H ± 0.25	Available on Shell Size
04	6.35	09, 15, 21
05	7.92	15 – 31
06	9.53	21 – 51
07	11.10	25 – 51
08	12.70	25 – 51
09	14.27	31 – 100
10	15.88	31 – 100
11	17.48	37 – 100
12	19.05	37 – 100
13	20.62	37, 51-2 – 100
14	22.23	51-2 – 100
15	23.83	51-2 – 100
16	25.40	51-2 – 100

# Dimensions



Shell Size	A Max.	B Max.	C Max.	D ± 0.25	E ± 0.25	F Max.	G Thread UNC-2A	Cable Entry Code Max
9	23.24	11.43	14.35	17.81	4.06	26.24	2-56	04
15	27.05	11.43	18.16	19.38	4.83	27.84	2-56	04 - 05
21	30.86	11.43	21.97	20.19	5.59	28.63	2-56	04 - 06
25	33.40	11.43	24.51	21.77	6.60	30.23	2-56	05 - 08
31	37.21	11.43	28.32	22.56	6.99	31.01	2-56	05 - 10
37	41.02	11.43	32.13	24.16	7.24	32.59	2-56	06 - 13
51	39.75	12.57	30.86	25.73	8.89	34.19	2-56	06 - 12
51-2	49.91	11.43	41.02	25.73	8.89	34.19	2-56	09 - 16
67	60.07	11.43	51.18	25.73	8.89	34.19	2-56	09 - 16
69	47.37	12.57	38.48	25.73	8.89	34.19	2-56	09 - 16
100	58.55	13.72	45.72	27.33	12.45	35.76	4-40	09 - 16



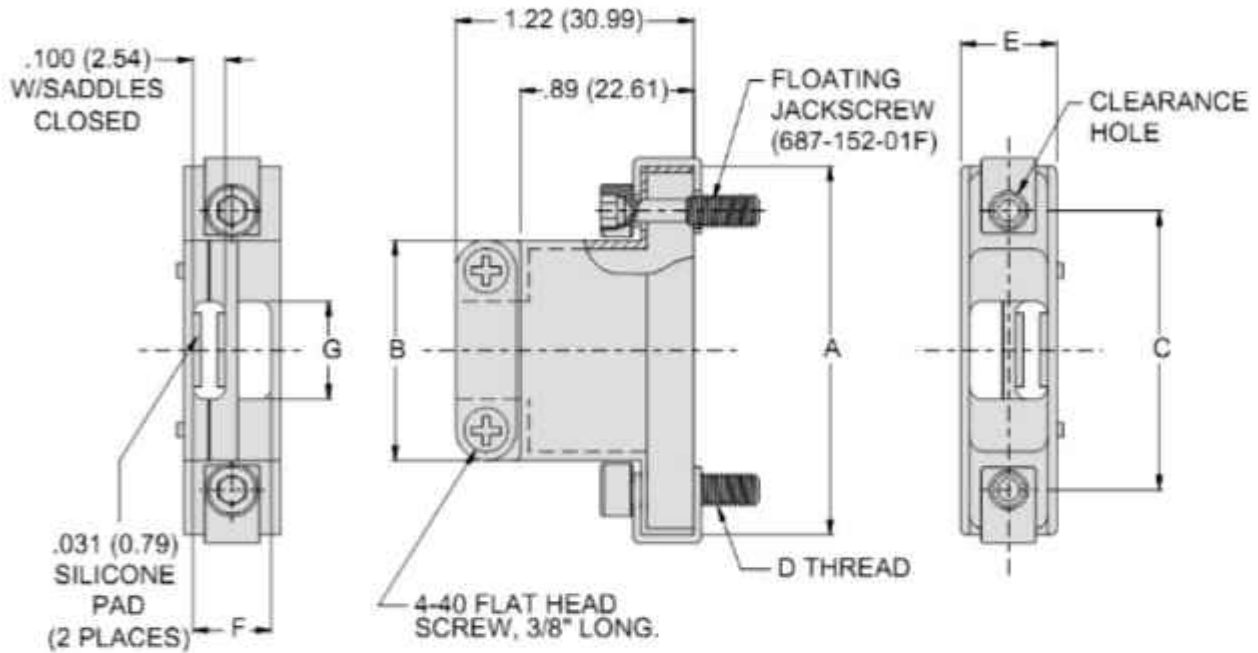
## 507-198, Saddle Bar Strain-Relief Backshell



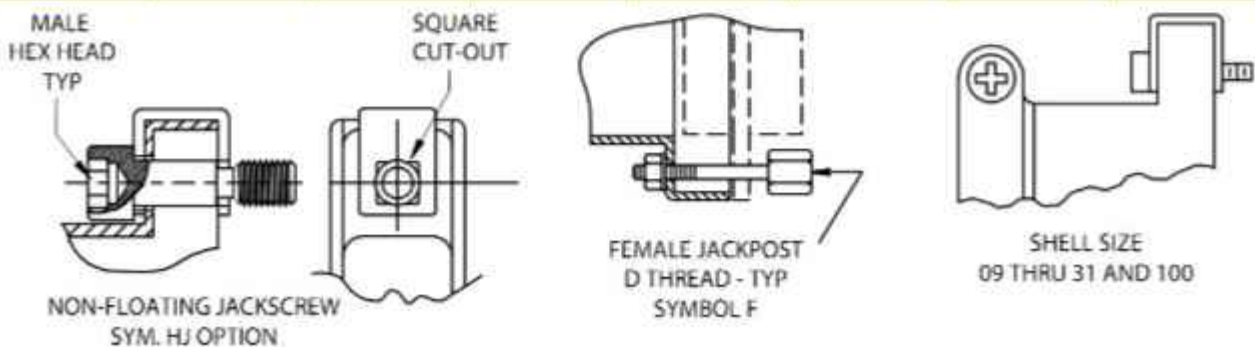
### Ordering information

Basic series	507-198	-M	25	F
Shell Finish:				
E – Chem Film (Alodyne)				
M – Electroless Nickel				
J – Cadmium, Yellow Chromate				
NF – Cadmium, Olive Drab				
Z2 – Gold				
Shell Size – 9, 15, 21, 25, 31, 37, 51, 51-2, 67, 69, 100				
Hardware Option:				
Omit – for Standard Male Floating Jackscrew				
F – Female Post				
HJ – Non Floating Jackscrew				

## Dimensions



Shell Size	A Max.	B Max.	C	D Thread UNC-2A	E Max.	F Max.	G Max.
9	21.59	21.34	14.35	2-56	10.67	7.87	7.87
15	25.40	23.11	18.16	2-56	10.67	7.87	9.65
21	29.21	24.64	21.97	2-56	10.67	7.87	11.18
25	31.75	26.16	24.51	2-56	10.67	7.87	12.70
31	35.56	27.43	28.32	2-56	10.67	7.87	13.97
37	39.37	28.70	32.13	2-56	10.67	7.87	15.24
51	38.10	27.43	30.86	2-56	11.94	9.14	13.97
51-2	48.51	37.59	41.02	2-56	10.67	7.87	24.13
67	58.67	47.75	51.18	2-56	10.67	7.87	34.29
69	45.97	35.05	38.48	2-56	11.94	9.14	21.59
100	54.61	43.69	43.31	4-40	11.94	9.14	30.23





507-146

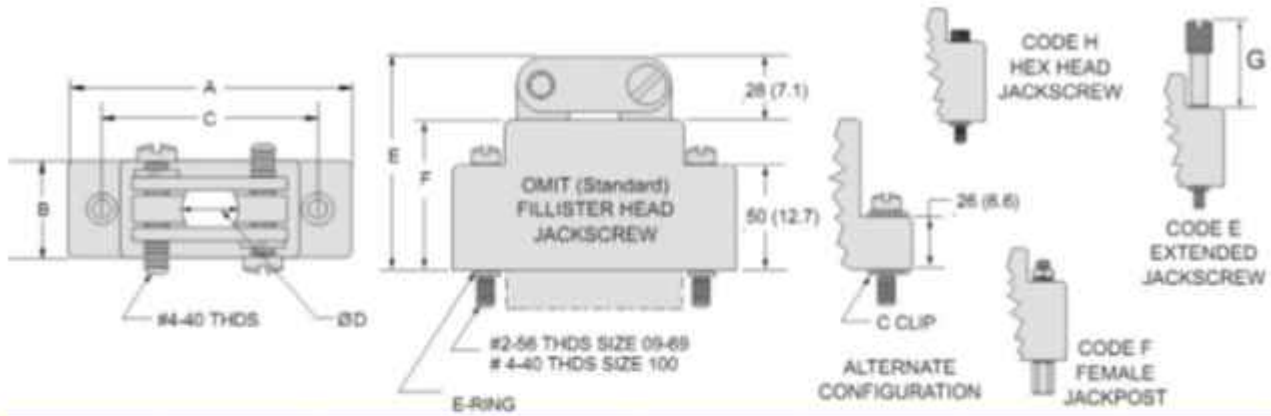
## Round Cable Entry Strain Relief Backshell with Saddle Bar Clamps



### Ordering information

Basic series	507-146	-Z2	25	H	C
Shell Finish:					
E – Chem Film (Alodyne)					
M – Electroless Nickel					
J – Cadmium, Yellow Chromate					
NF – Cadmium, Olive Drab					
Z2 – Gold					
Shell Size – 9, 15, 21, 25, 31, 37, 51, 51-2, 67, 69, 100					
Hardware Option:					
Omit – Fillister Head Jackscrew					
E – Extended Jackscrew					
H – Hex Head Jackscrew					
F – Female Jackpost					
Jackscrew Attachment Option:					
Omit – Jackscrews Attach With E-Ring					
<b>NOTE. This Option Applies to Sizes 09 – 69, Size 100 is Not Available with E-Ring</b>					
C – Jackscrews Attach With Clips					

## Dimensions



Shell Size	A Max.	B Max.	C	D $\pm 0.25$	E Max.	F Max.	G Max.
9	23.24	11.43	14.35	4.06	19.81	13.97	13.72
15	27.05	11.43	18.16	4.83	21.08	15.24	14.99
21	30.86	11.43	21.97	5.59	23.88	16.51	17.78
25	33.40	11.43	24.51	6.60	25.15	17.78	18.80
31	37.21	11.43	28.32	6.99	26.16	18.80	20.07
37	41.02	11.43	32.13	7.24	27.18	19.81	21.08
51	39.75	12.57	30.86	8.89	29.21	21.84	23.11
51-2	49.81	11.43	41.02	7.24	29.21	21.84	23.11
67	60.07	11.43	51.18	7.24	29.21	21.84	23.11
69	57.53	12.57	38.48	8.89	29.21	21.84	23.11
100	58.55	13.72	45.72	12.45	30.73	23.62	24.63



500T012, 500S012, 500E012

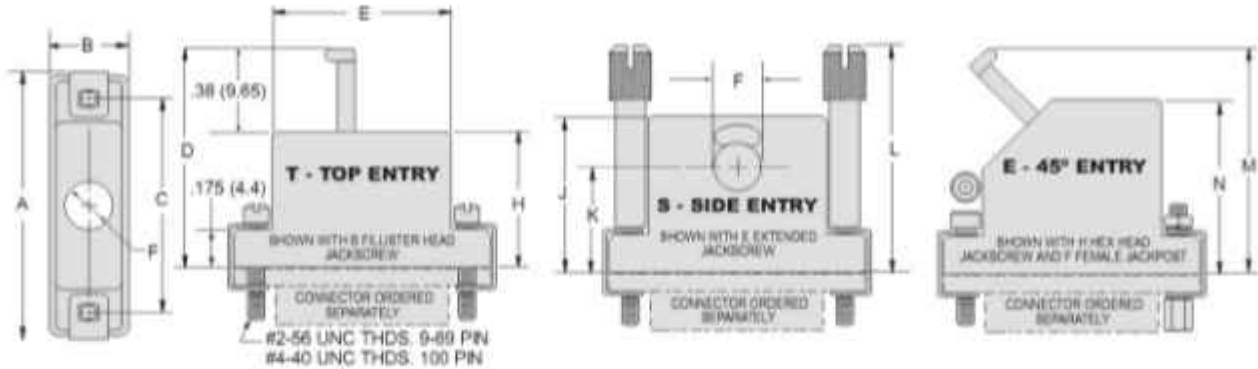
Top, Side and 45° Cable Entry, Qwik-Ty Strain Relief Backshell



## Ordering information

Basic series	500	T012	-M	25	H
Entry Option:					
T012 – Top Entry					
S012 – 90° Side Entry					
E012 – 45° Entry					
Shell Finish:					
E – Chem Film (Alodyne)					
M – Electroless Nickel					
J – Cadmium, Yellow Chromate					
NF – Cadmium, Olive Drab					
Z2 – Gold					
Shell Size – 9, 15, 21, 25, 31, 37, 51, 51-2, 67, 69, 100					
Hardware Option:					
B – Fillister Head Jackscrew					
E – Extended Jackscrew					
H – Hex Head Jackscrew					
F – Female Jackpost					

## Dimensions



Shell Size	A Max.	B Max.	C	D Max.	E Max.	F $\pm 0.13$	H Max.	J Max.	K	L Max.	M Max.	N Max.
9	21.59	9.40	14.35	19.81	10.41	3.18	8.89	16.18	11.05	26.42	25.40	17.27
15	25.40	9.40	18.16	23.11	14.73	3.96	11.94	17.09	11.20	29.72	26.16	18.54
21	29.21	9.40	21.97	26.16	18.80	4.78	14.99	17.95	11.63	32.77	26.67	19.43
25	31.75	9.40	24.51	27.69	21.59	5.56	16.51	19.00	12.27	34.29	27.69	21.08
31	35.56	9.40	28.32	29.21	24.89	6.35	18.03	19.20	12.09	36.07	28.70	22.61
37	39.37	9.40	32.13	30.23	28.70	7.14	19.05	19.66	12.14	36.83	31.24	24.26
51	38.10	10.41	30.86	30.99	27.43	7.92	19.81	21.82	13.91	37.59	31.75	25.53
51-2	48.51	9.40	41.02	30.99	38.35	7.14	19.81	21.82	13.91	37.59	31.75	25.53
67	58.67	9.40	51.18	30.99	47.75	7.14	19.81	21.82	13.91	37.59	31.75	25.53
69	45.97	10.41	38.48	30.99	47.75	7.92	19.81	21.82	13.91	37.59	31.75	25.53
100	56.77	11.68	45.72	32.51	37.34	9.53	21.34	25.76	17.45	40.13	33.53	27.43



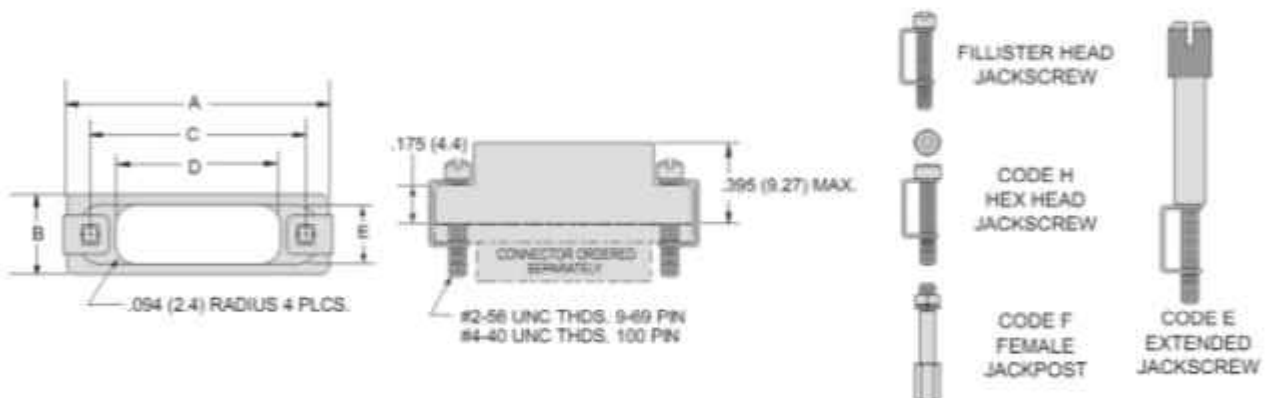
## 507-035, Potting Shell



### Ordering information

Basic series	500-035	-M	25	B
Shell Finish:				
E – Chem Film (Alodyne)				
M – Electroless Nickel				
J – Cadmium, Yellow Chromate				
NF – Cadmium, Olive Drab				
Z2 – Gold				
Shell Size – 9, 15, 21, 25, 31, 37, 51, 51-2, 67, 69, 100				
Hardware Option:				
Omit – Fillister Head Jackscrew				
E – Extended Jackscrew				
H – Hex Head Jackscrew				
F – Female Jackpost				

### Dimensions



Shell Size	A Max.	B Max.	C	D ± 0.8	E ± 0.8
9	21.59	9.40	14.35	7.9	6.6
15	25.40	9.40	18.16	12.2	6.6
21	29.21	9.40	21.97	16.5	6.6
25	31.75	9.40	24.51	19.1	6.6
31	35.56	9.40	28.32	22.4	6.6
37	39.37	9.40	32.13	26.2	6.6
51	38.10	10.41	30.86	24.9	7.6
51-2	48.51	9.40	41.02	35.0	6.6
67	58.67	9.40	51.18	45.2	6.6
69	45.97	10.41	38.48	32.5	7.6
100	56.77	11.68	45.72	34.3	9.1

**CÔNG TY TNHH RỒNG VÀNG TECHNOLOGY**

**Địa chỉ: 48/5 Vĩnh Xuân, Phường Vĩnh thái,  
Thành Phố Nha Trang, Tỉnh Khánh Hòa**

**SĐT: +84 79.219.2707**

**[www.rong-vang-technology.vn](http://www.rong-vang-technology.vn)**

**[www.rong-vang-technology.vn](http://www.rong-vang-technology.vn)**