



**RỒNG VÀNG
TECHNOLOGY**



Circular Electrical Connector

P Series

**extended model range
substitutes of Russian
ShR, ShRG, ShRGP**

www.rong-vang-technology.vn



Description

Connectors of P type are intended for use in DC and AC (frequency up to 3 MHz) electrical circuits with voltage up to 850 V (as peak)

The connectors are produced in four versions: unsealed Plugs, unsealed Receptacles, hermetically sealed Receptacles and hermetically feed through bulkhead

The connectors are manufactured:

- Receptacles, P-A & P-M types, with backshell (straight shielding, straight non-shielding, elbow shielding, elbow non-shielding) or without backshells
- unsealed Plugs with backshell (straight shielding, straight non-shielding, elbow shielding, elbow non-shielding)

The connectors have threaded coupling

Contacts:

- unsealed Plugs, unsealed Receptacles, hermetically sealed Receptacles: \varnothing 1,5 mm; \varnothing 2,5 mm; \varnothing 3,5 mm, \varnothing 5,5 mm; \varnothing 9,0
- hermetically feed through bulkhead: \varnothing 1,5 mm; \varnothing 2,5 mm; \varnothing 3,5 mm

Contact plating:

- P – silver;
- P-M, P-C – nickel

The connectors are manufactured in all climatic conditions in accordance with the technical conditions GEO.364.107TU, GEO.364.108TU



Technical features

Description	Values
Shell material	anodized aluminum
Contact material	copper alloy/silver
Operating temperature	up -60°C to +50°C
Vibration	acceleration 10 g (1-1000 HZ)
Impact	acceleration 500 g (once); 35 g (multiple times);
Durability	500 cycles
Technical conditions	GEO.364.107TU, GEO.364.108TU

Electrical

Max current rating per contact

Ø 1.5	Ø 2.5	Ø 3.5	Ø 5.5	Ø 9
10 A	25 A	50 A	100 A	200 A











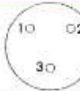









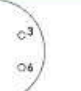







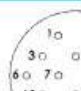



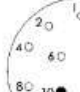
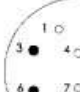





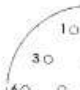
Contact resistance

Contact plating	Ø 1.5	Ø 2.5	Ø 3.5	Ø 5.5	Ø 9
silver	≤ 2,5 mΩ	≤ 1 mΩ	≤ 0,5 mΩ	≤ 0,3 mΩ	≤ 0,15 mΩ
nickel	≤ 5 mΩ	≤ 2 mΩ	≤ 5 mΩ	≤ 0.75 mΩ	≤ 0,6 mΩ

Ordering information

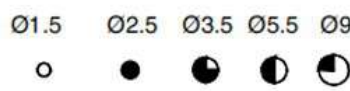
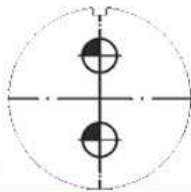
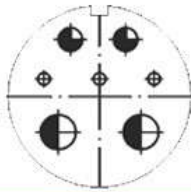
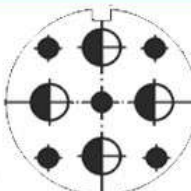
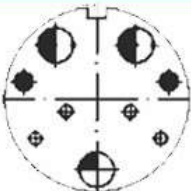
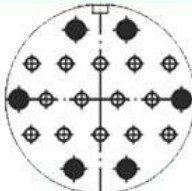
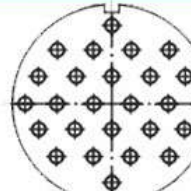
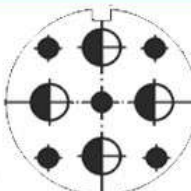
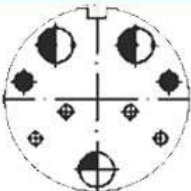
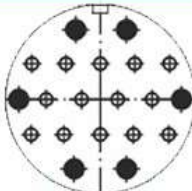

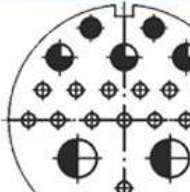
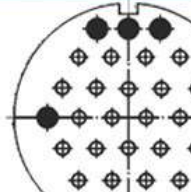
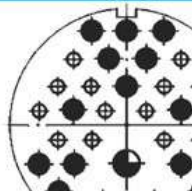
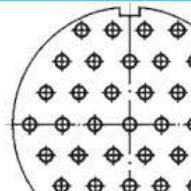
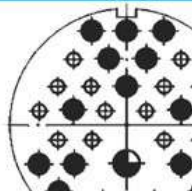
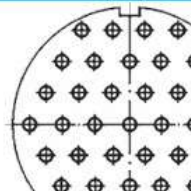
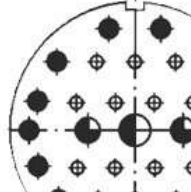
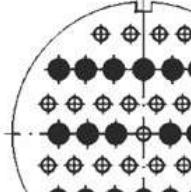
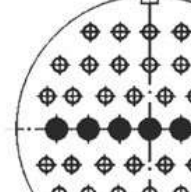
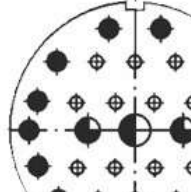
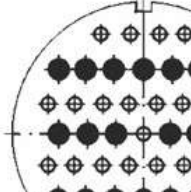
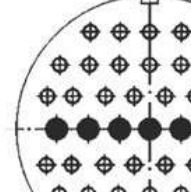
Basic series	P	-20	J	6	A	Q
Shell size: for unsealed Connectors: 16, 20, 28, 32, 36, 40, 48, 55, 60 for hermetically feed through bulkhead: 20, 32, 40, 48, 55						
Contact Type: J: Pin K: Socket						
Contact group						
Connector Type: Omit: unsealed Plug A: unsealed Receptacle M: Hermetically sealed Receptacles with pin contacts only C: hermetically feed through bulkhead with pin contacts only						
Backshell Type for connectors P, P-A, P-M: Omit: without backshell for Receptacle, P-A & P-M, & hermetically feed through bulkhead P: straight EMI/RFI Backshell Q: straight non-shielding Backshell R: elbow EMI/RFI Backshell, not applicable for Receptacle, P-M type S: elbow non-shielding Backshell, not applicable for Receptacle, P-M type						
Plug thread: Omit: for unsealed Plug U: for Left Plug (for mating with hermetically feed through bulkhead P-C)						

Contact layouts

Shell size	Number of contacts - Contact group				Contact diameter, mm				
					Symbol				
12	1-2 	16	1-3 	2-5 	Ø1.5 	Ø2.5 	Ø3.5 	Ø5.5 	Ø9 
20	2-6 	3-7 	3-6 	4-8 	4-4 	5-10 	5-7 		
	28	1-4 	2-7 	4-5 	7-9 	7-7 	6-4 		
32		1-5 	4-14 	8-3 	8-2 				
	36	10-1 	12-3 	12-1 	14-5 				
40		4-13 	5-11 	7-1 	15-14 	10-1 	15-12 		
	40	3-9 	9-9 	14-2 	16-2 	15-2 			

Contact layouts for sealed connectors – Need to consult

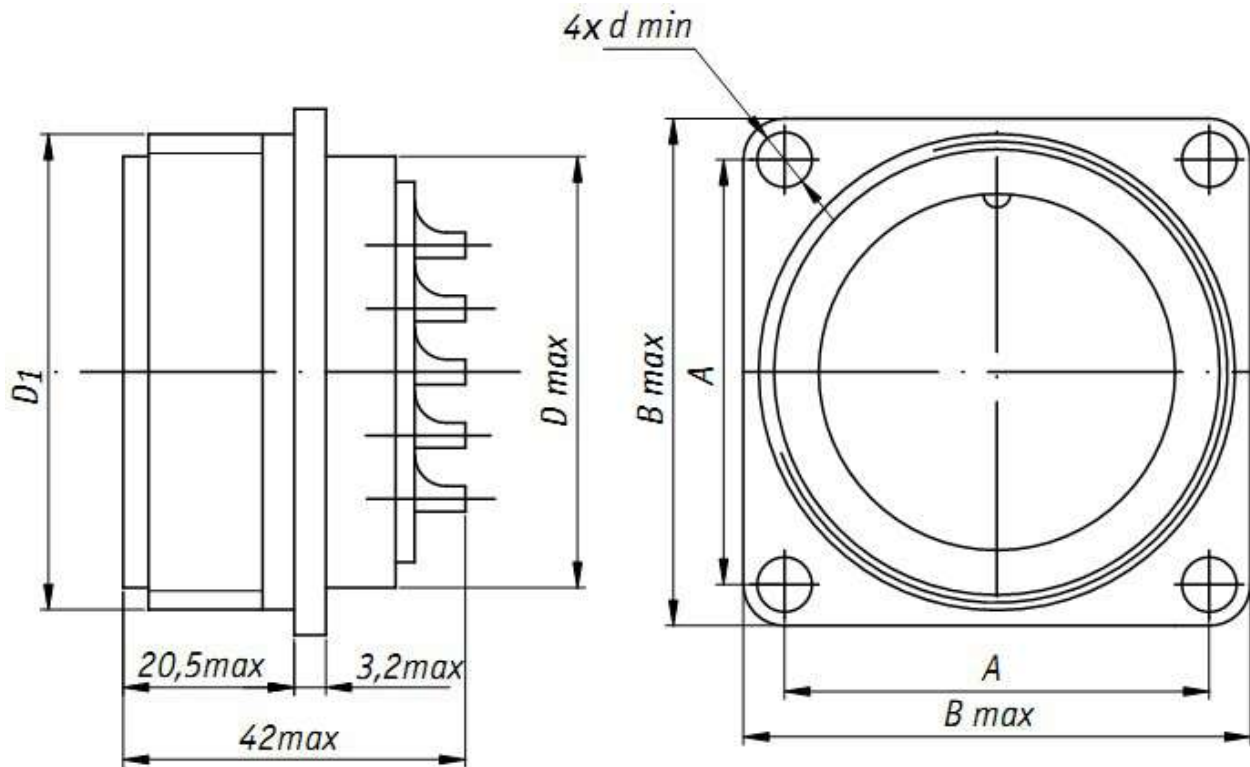
Contact layouts

Shell size	Number of contacts - Contact group	Contact diameter, mm Symbol		
48	2-9 7-2	Ø1.5 Ø2.5 Ø3.5 Ø5.5 Ø9 		
				
	9-7 9-1 20-1 26-2		   	
				
55	6-6 23-1 30-1			
				
	31-3 35-3		 	
				
60	31-1 45-2 47-2			
				
				

Contact layouts for sealed connectors – Need to consult

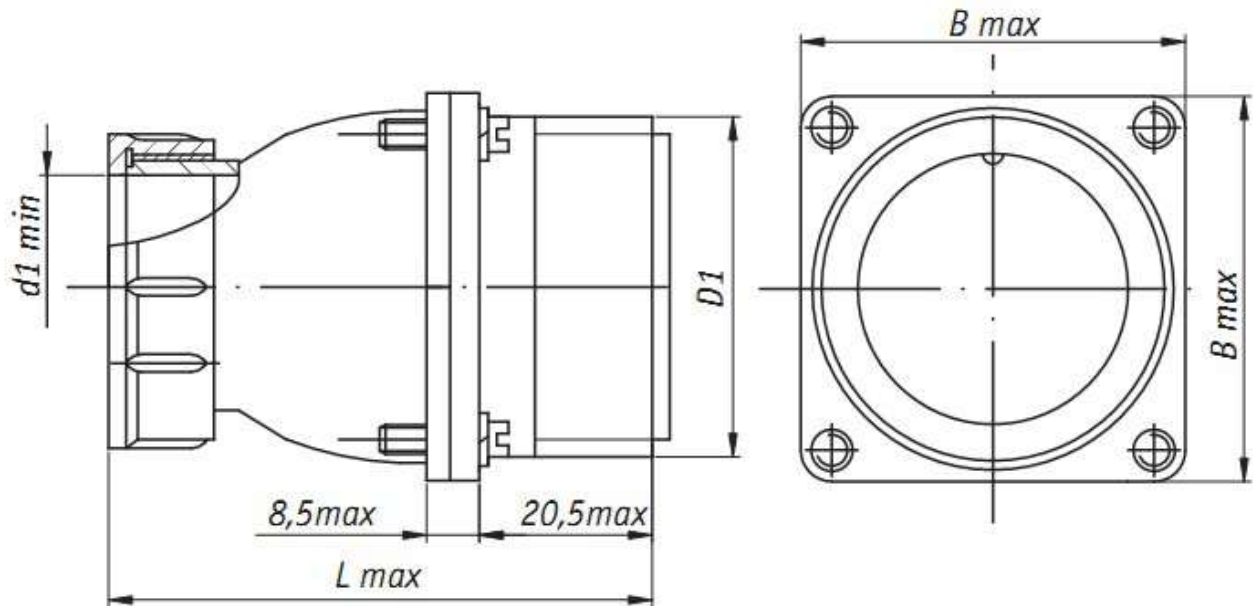
Dimensions

Receptacles, P-A type, without backshell



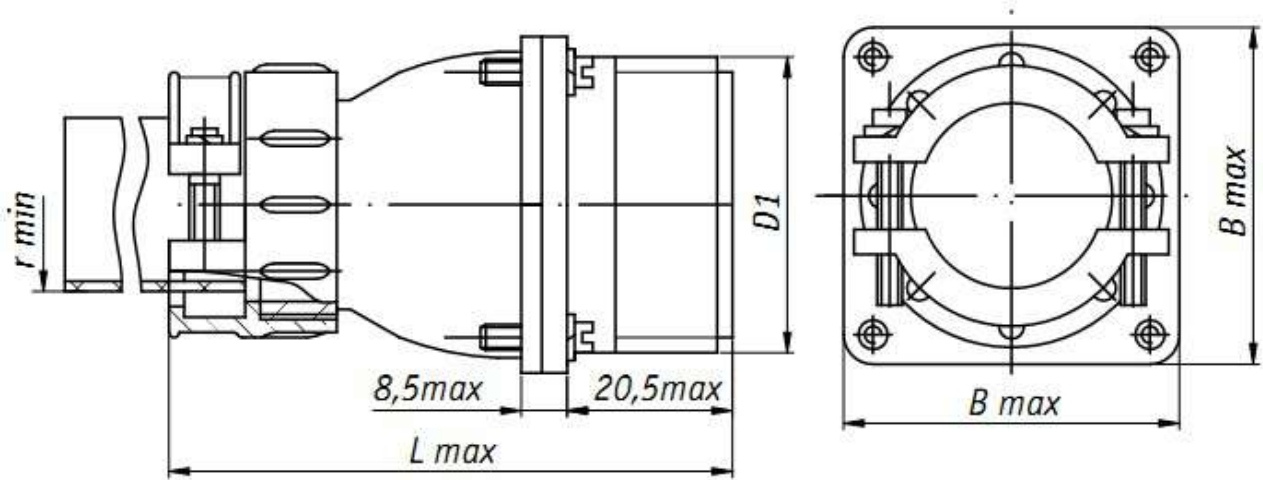
Shell size	A	B	D	D1	d
12	16	22	12	M16x1,5	3,2
16	19	25	16	M20x1,5	3,2
20	22	30	20	M24x1,5	3,2
28	30	38	28	M33x1,5	3,5
32	32	40	32	M36x1,5	3,5
36	34	42	36	M39x1,5	3,5
40	40	48	40	M45x1,5	3,5
48	48	58	48	M52x1,5	4,5
55	52	64	55	M60x1,5	4,5
60	54	68	60	M64x1,5	4,5

Receptacles, P-A type, with straight EMI/RFI Backshell, P type



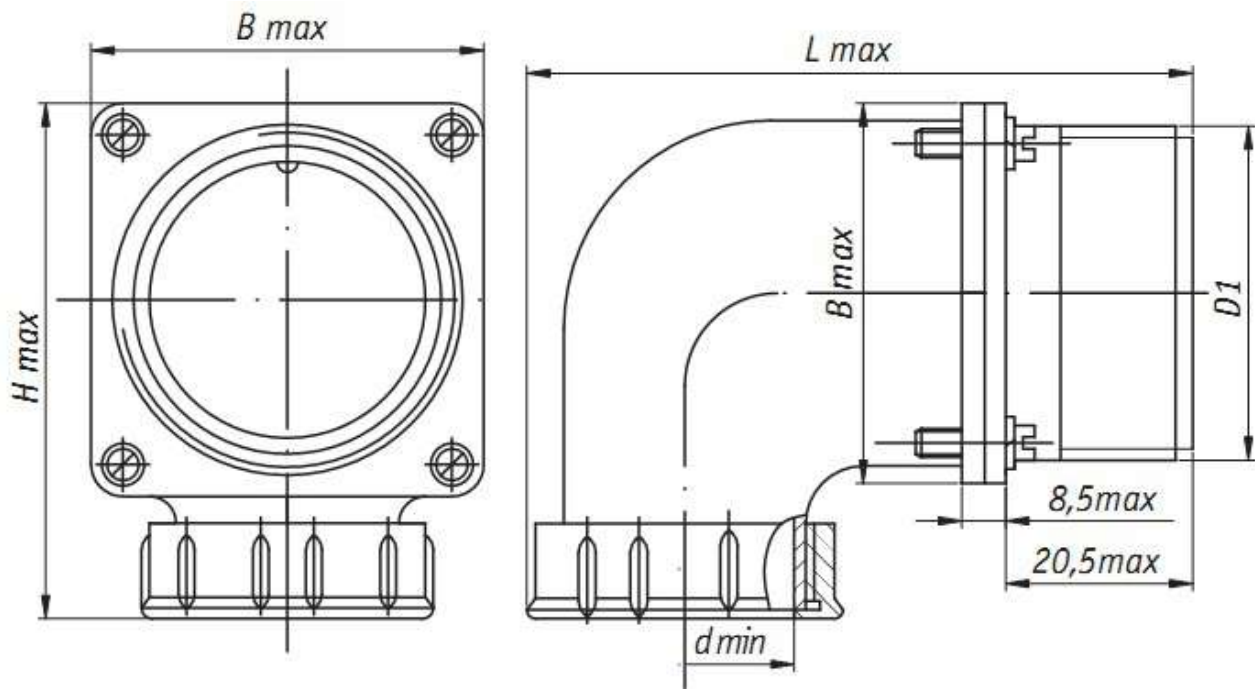
Shell size	B	D1	d1	L
12	22	M16x1,5	8	52,2
16	25	M20x1,5	11	52,2
20	30	M24x1,5	18	55,2
28	38	M33x1,5	25	60,2
32	40	M36x1,5	25	64,2
36	42	M39x1,5	29	66,2
40	48	M45x1,5	32	66,2
48	58	M52x1,5	36	68,2
55	64	M60x1,5	46	68,2
60	68	M64x1,5	50	66,2

Receptacles, P-A type, with straight non-shielding Backshell, Q type



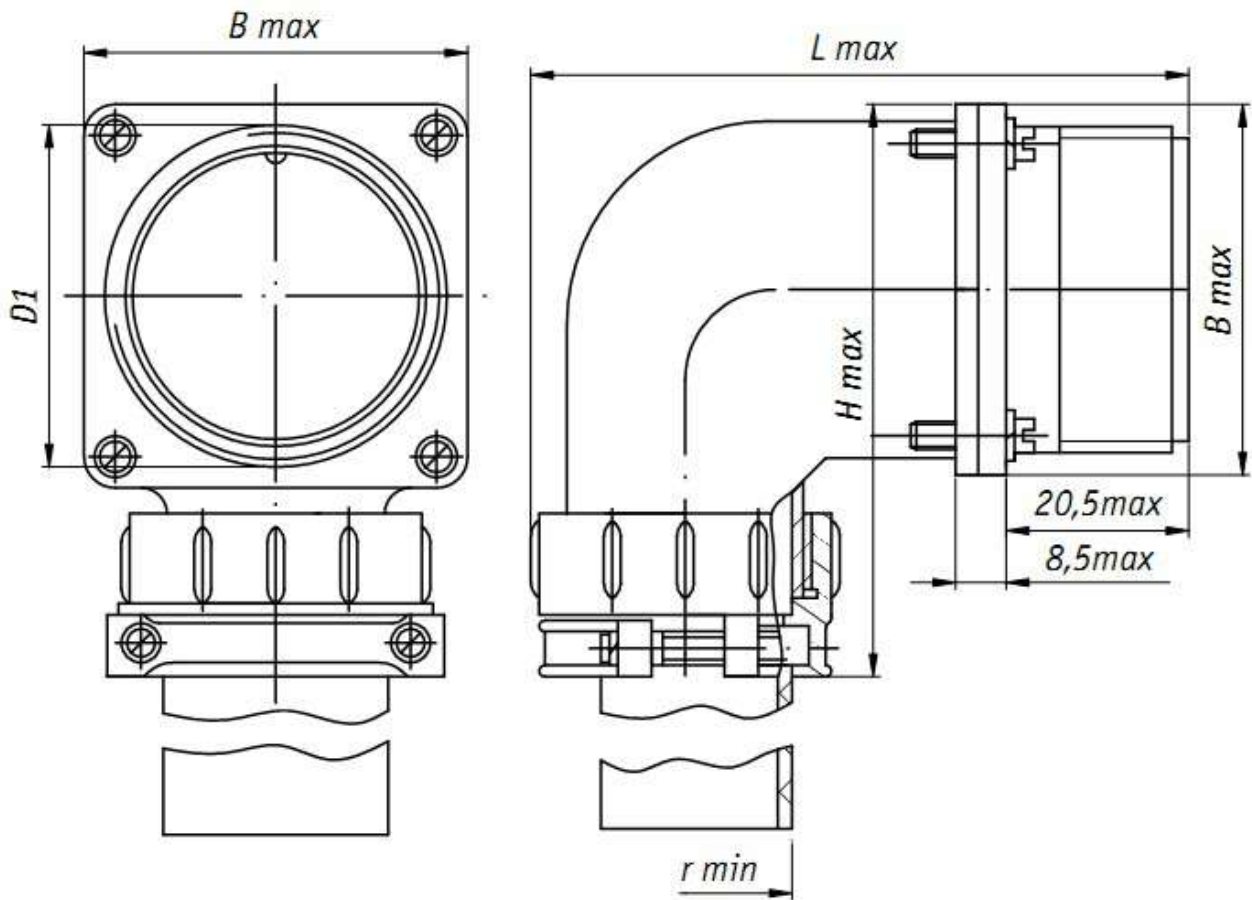
Shell size	B	D1	r	L
12	22	M16x1,5	2,5	64,8
16	25	M20x1,5	3,5	62,8
20	30	M24x1,5	7,0	65,8
28	38	M33x1,5	10,5	74,8
32	40	M36x1,5	10,5	78,8
36	42	M39x1,5	11,5	80,8
40	48	M45x1,5	12,0	80,8
48	58	M52x1,5	16,0	82,8
55	64	M60x1,5	20,0	82,8
60	68	M64x1,5	24,0	80,8

Receptacles, P-A type, with elbow EMI/RFI Backshell, R type



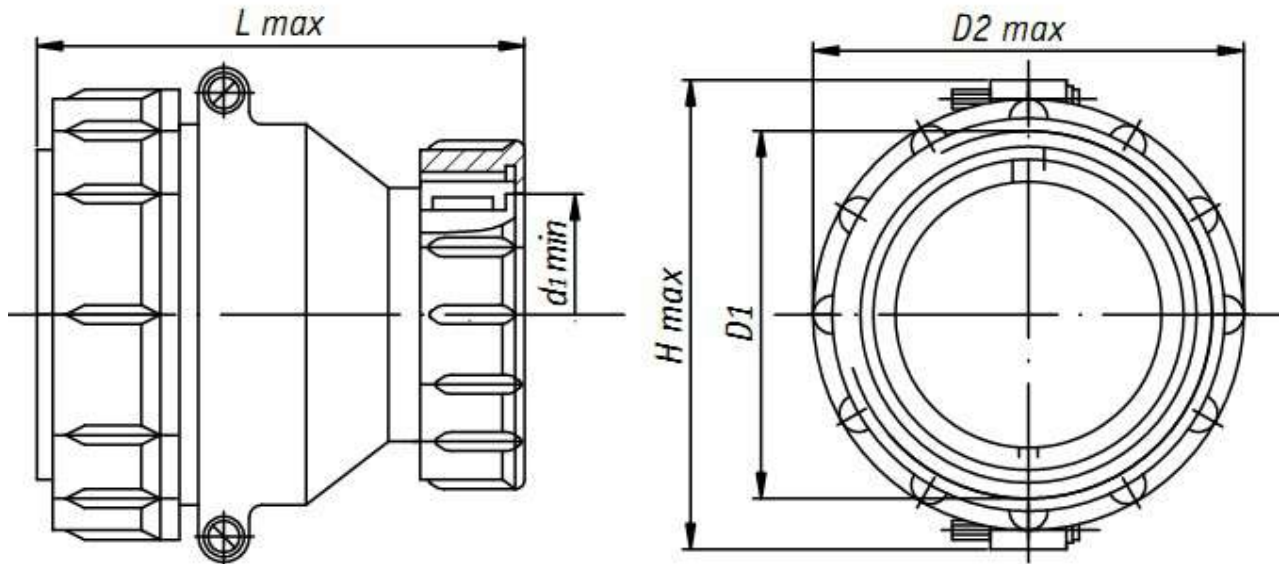
Shell size	B	H	D1	d	L
12	22	36	M16x1,5	8	54,3
16	25	40,3	M20x1,5	11	58,3
20	30	43,8	M24x1,5	18	65,3
28	38	54,8	M33x1,5	25	76,3
32	40	56,8	M36x1,5	25	76,3
36	42	58,8	M39x1,5	29	79,3
40	48	64,8	M45x1,5	32	83,3
48	58	74,8	M52x1,5	36	93,8
55	64	80,8	M60x1,5	46	101,8
60	68	84,8	M64x1,5	50	107,8

Receptacles, P-A type, with elbow non-shielding Backshell, S type



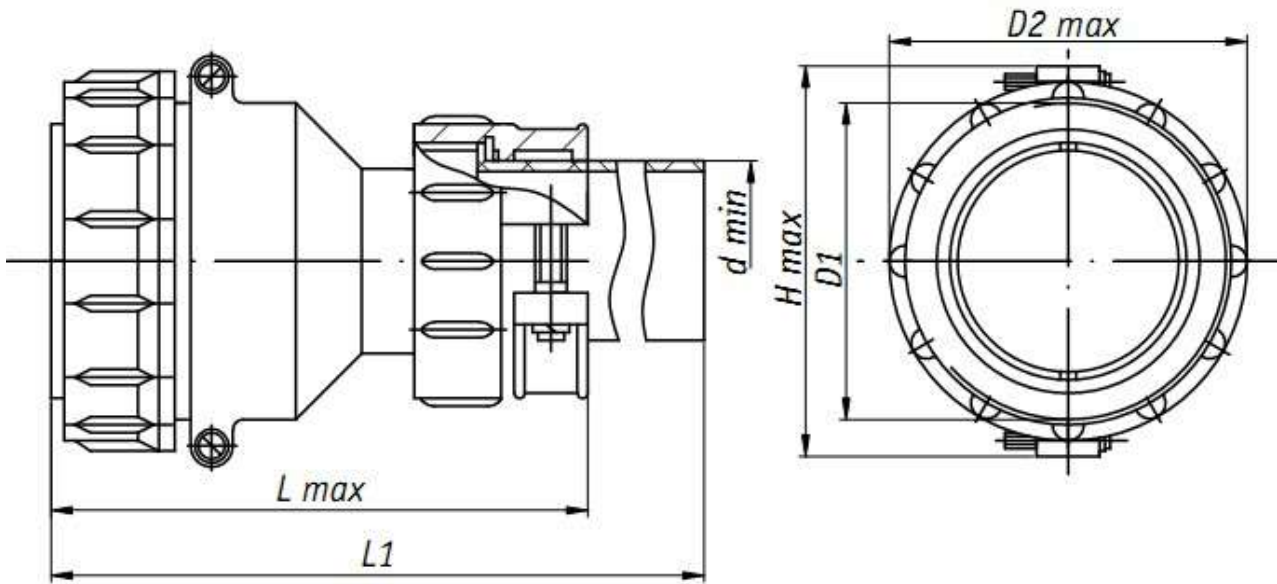
Shell size	B	H	D1	r	L
12	22	49,4	M16x1,5	2,5	53,5
16	25	50,9	M20x1,5	3,5	58,0
20	30	55,4	M24x1,5	7,0	65,0
28	38	69,4	M33x1,5	10,5	76,5
32	40	71,4	M36x1,5	10,5	76,5
36	42	73,4	M39x1,5	11,5	79,0
40	48	79,4	M45x1,5	12,0	84,5
48	58	89,4	M52x1,5	16,0	95,5
55	64	95,4	M60x1,5	20,0	102,5
60	68	99,4	M64x1,5	24,0	108,0

Plugs with straight EMI/RFI Backshell, P type



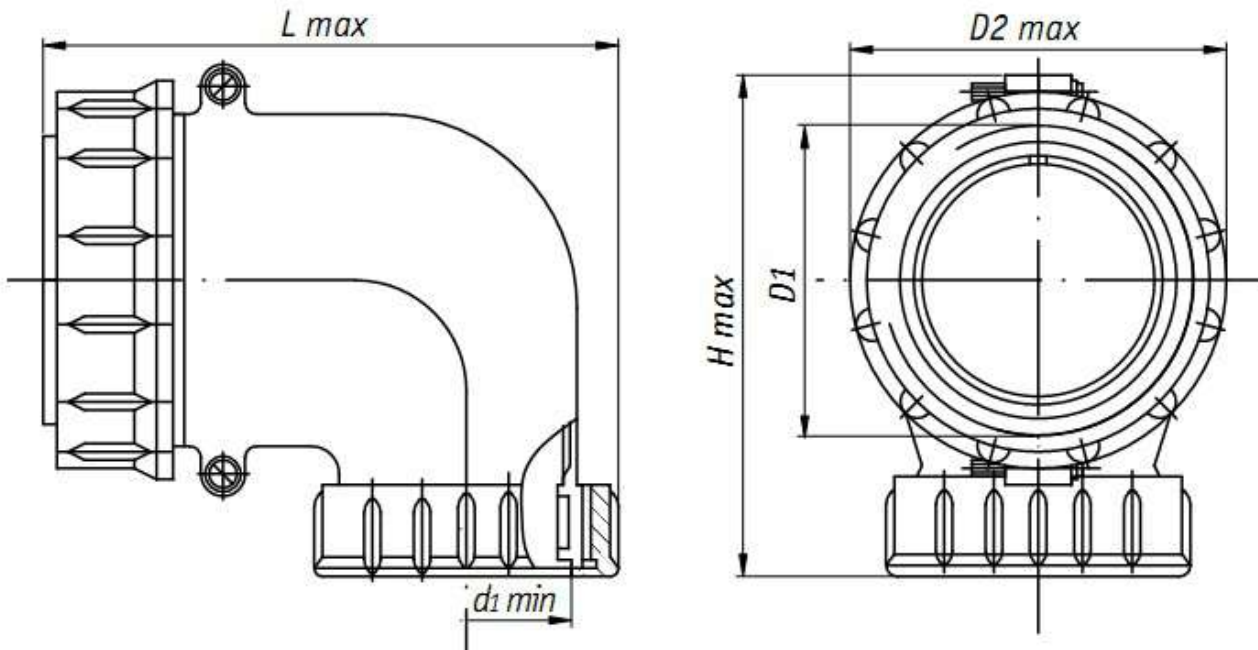
Shell size	H	D1	D2	d1	L
12	25,5	M16x1,5	21,5	8	52,1
16	29,5	M20x1,5	25,5	11	52,1
20	37,1	M24x1,5	29,5	18	56,1
28	49,1	M33x1,5	38,5	25	58,1
32	53,1	M36x1,5	41,5	25	60,1
36	56,1	M39x1,5	45,5	29	64,1
40	61,1	M45x1,5	52,5	32	66,1
48	69,1	M52x1,5	59,5	36	68,1
55	75,1	M60x1,5	67,5	46	68,1
60	81,1	M64x1,5	72,5	50	66,1

Plugs with straight non-shielding Backshell, Q type



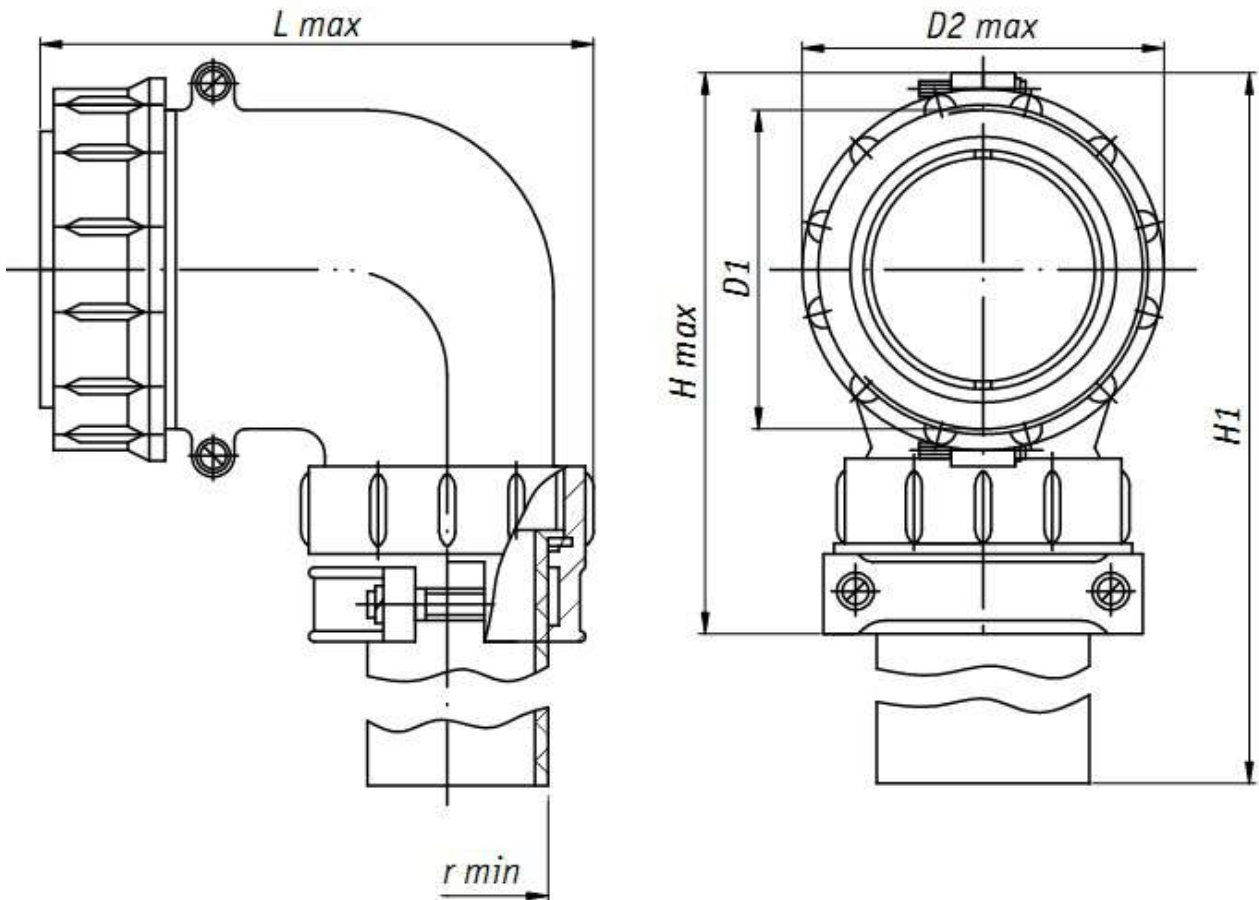
Shell size	H	D1	D2	r	L
12	25,5	M16x1,5	21,5	2,5	64,7
16	29,5	M20x1,5	25,5	3,5	62,7
20	37,1	M24x1,5	29,5	7,0	67,7
28	49,1	M33x1,5	38,5	10,5	72,7
32	53,1	M36x1,5	41,5	10,5	74,7
36	56,1	M39x1,5	45,5	11,5	78,7
40	61,1	M45x1,5	52,5	12,0	80,7
48	69,1	M52x1,5	59,5	16,0	82,7
55	75,1	M60x1,5	67,5	20,0	82,7
60	81,1	M64x1,5	72,5	24,0	80,7

Plugs with elbow EMI/RFI Backshell, R type



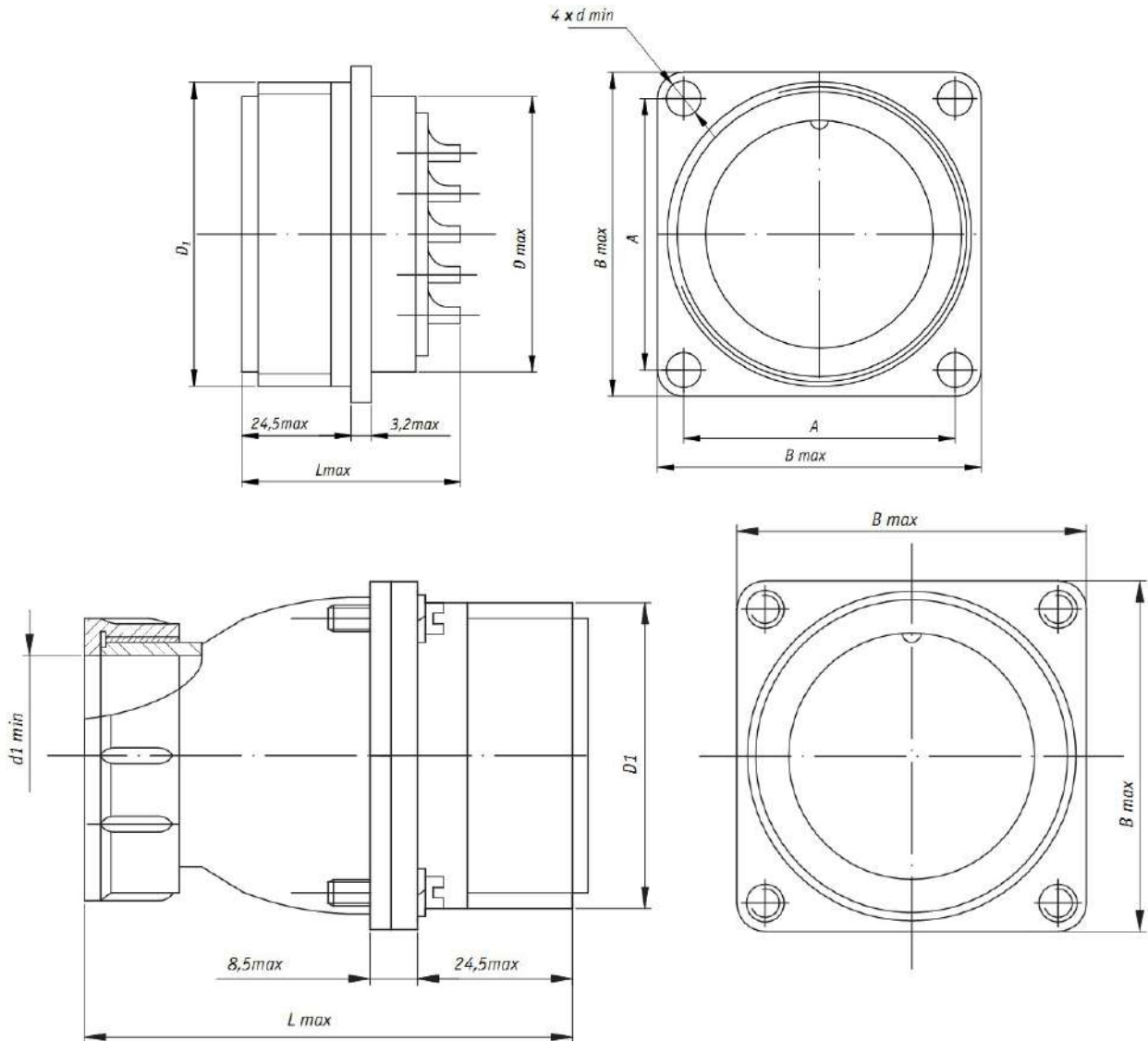
Shell size	H	D1	D2	d1	L
12	38,6	M16x1,5	21,5	8	54,1
16	42,6	M20x1,5	25,5	11	60,1
20	51,4	M24x1,5	29,5	18	68,1
28	63,4	M33x1,5	38,5	25	76,1
32	67,4	M36x1,5	41,5	25	76,1
36	68,9	M39x1,5	45,5	29	79,1
40	73,4	M45x1,5	52,5	32	83,6
48	82,4	M52x1,5	59,5	36	93,6
55	89,4	M60x1,5	67,5	46	101,1
60	95,4	M64x1,5	72,5	50	107,6

Plugs with elbow non-shielding Backshell, S type



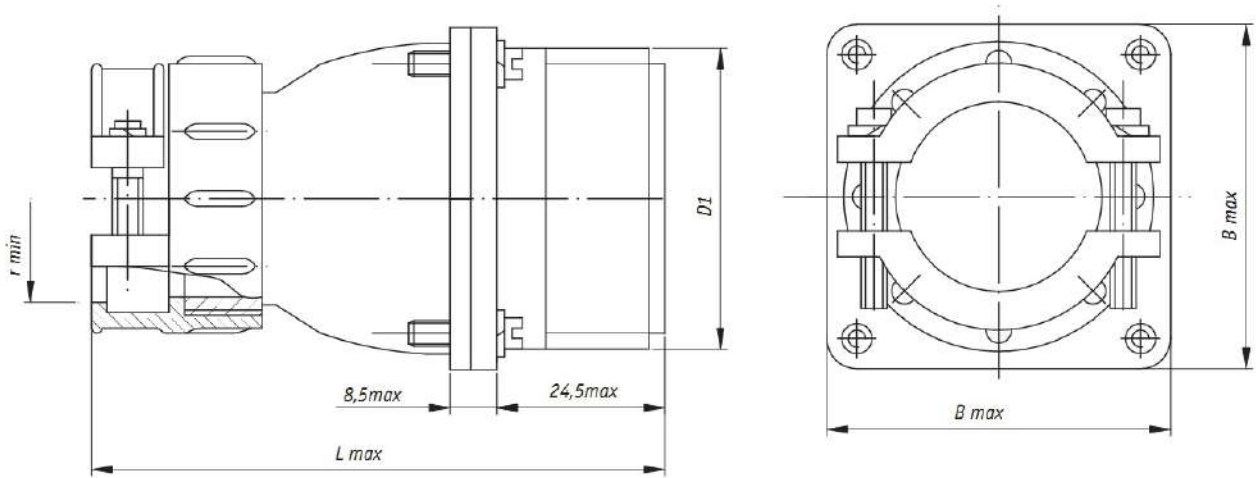
Shell size	H	D1	D2	r	L
12	51,2	M16x1,5	21,5	2,5	53,4
16	53,2	M20x1,5	25,5	3,5	59,9
20	63,0	M24x1,5	29,5	7,0	67,9
28	78,0	M33x1,5	38,5	10,5	76,4
32	82,0	M36x1,5	41,5	10,5	76,4
36	83,5	M39x1,5	45,5	11,5	78,9
40	88,0	M45x1,5	52,5	12,0	84,4
48	97,0	M52x1,5	59,5	16,0	95,4
55	104,0	M60x1,5	67,5	20,0	101,9
60	110,0	M64x1,5	72,5	24,0	107,9

Receptacles P-M type, without backshell & with backshell, P type



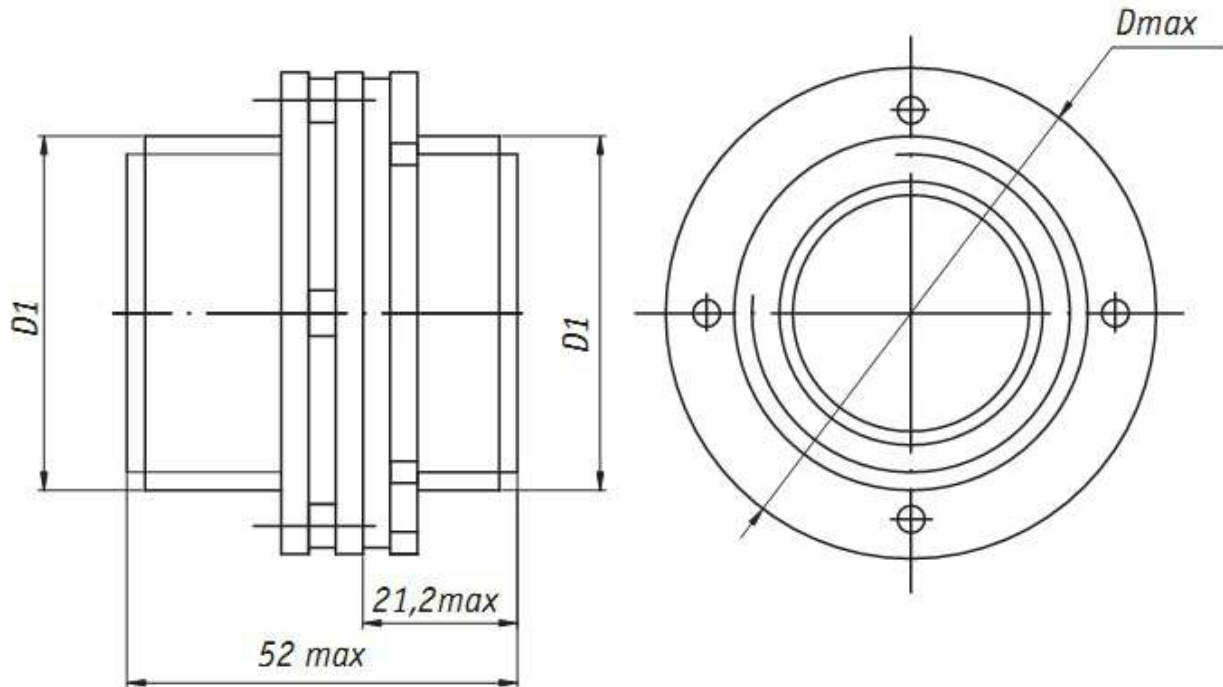
Shell size	B	D1	d1	L
16	26	M20x1,5	11	56,4
20	32	M24x1,5	17	59,4
28	40	M33x1,5	24	64,4
32	44	M36x1,5	24	68,4
36	46	M39x1,5	27	70,4
40	52	M45x1,5	30	70,4
48	60	M52x1,5	36	72,4
55	68	M60x1,5	45	72,4
60	72	M64x1,5	48	70,4

Receptacles P-M type with straight non-shielding Backshell, Q type



Shell size	B	D1	r	L
16	26	M20x1,5	3,5	67
20	32	M24x1,5	7,0	71
28	40	M33x1,5	10,5	79
32	44	M36x1,5	10,5	83
36	46	M39x1,5	11,5	85
40	52	M45x1,5	12,0	85
48	60	M52x1,5	16,0	87
55	68	M60x1,5	20,0	87
60	72	M64x1,5	24,0	85

Feed through bulkhead, P-C type



Shell size	D1	D
20	M24x1,5	38
32	M36x1,5	50
40	M45x1,5	59
48	M52x1,5	66
55	M60x1,5	74

CÔNG TY TNHH RỒNG VÀNG TECHNOLOGY

**Địa chỉ: 48/5 Vĩnh Xuân, Phường Vĩnh thái,
Thành Phố Nha Trang, Tỉnh Khánh Hòa**

SĐT: +84 79.219.2707

www.rong-vang-technology.vn

www.rong-vang-technology.vn